

MONTERINGS- ANVISNING

WOODRIDGE

Skanna för animerade steg-för-steg-instruktioner

VIKTIGT MEDDELANDE / IMPORTANT NOTICE

Denna översättning tillhandahålls endast som en tjänst. Den engelska originalmonteringsanvisningen som följer med produkten är det juridiskt bindande dokumentet. Vid eventuell diskrepans är det den engelska versionen som gäller.

This translation is provided as a courtesy service only. The original English assembly guide included with the product is the legally binding document. In case of any discrepancy, the English version shall prevail.

JURIDISKT MEDDELANDE OCH ÖVERSÄTTNING

Detta dokument är en svensk översättning av monteringsanvisningen, tillhandahållen av Traeger Pellet Grills LLC enbart som en tjänst.

Den engelska originalanvisningen som följer med produkten är det enda juridiskt bindande dokumentet. Vid diskrepans, tvetydighet eller konflikt mellan denna översättning och originaldokumentet är det alltid den engelska versionen som gäller.

VIKTIGT: De steg-för-steg-diagram, hardware-illustrationer och monteringsbilder i den engelska originalanvisningen är nödvändiga för att montera grillen korrekt. Denna översättning innehåller endast den översatta texten; för de visuella monteringsstegen hänvisas till den engelska originalanvisningen eller skanna QR-koden på den fysiska anvisningen för animerade instruktioner.

För teknisk support, garanti eller kundservice, se kontaktuppgifterna i slutet av detta dokument eller besök support.traeger.com.

ENGLISH NOTICE

This document is a Swedish translation of the assembly guide provided by Traeger Pellet Grills LLC solely as a courtesy service. The original English assembly guide is the only legally binding document.

INNAN DU BÖRJAR

LÄS DENNA MONTERINGSANVISNING OCH DIN BRUKSANVISNING INNAN INSTALLATION OCH ANVÄNDNING AV DIN TRAEGER®-GRILL. Underlåtenhet att följa instruktionerna kan leda till materiella skador, personskador eller dödsfall.

INSTALLATIONSPLATS

När du använder din grill ska du hålla ett MINSTA AVSTÅND på 50,8 cm (20 tum) mellan grillen och närliggande brännbara material, inklusive trä-räcken, husbeklädnad, fönsterramar, möbler, träd, soptunnor osv.

Installera eller använd inte denna grill på brännbara golv eller ytor, inomhus eller under ett brännbart tak eller utskjut.

Läs bruksanvisningen för ytterligare instruktioner och varningar.

3,7 × 3,7 m (12 fot × 12 fot) MONTERINGSOMRÅDE

PRO-TIPS: Vi rekommenderar att montera grillen med två personer.

PRO-TIPS: Bygg på botten av förpackningskartongen för att förhindra repor.

VARNING — Brandrisk

Underlåtenhet att hålla de nödvändiga avstånden (lufttrum) mellan brännbara material och grillen är en väsentlig orsak till bränder. Det är ytterst viktigt att produkten installeras endast i enlighet med dessa instruktioner och bruksanvisningen.

VARNING — Risk för elektrisk stöt

Det finns farlig spänning. Jordfelsbrytare (GFCI) ska användas på den eller de kretsar eller uttag som används för denna Traeger®-grill. Dra ut nätsladden innan montering som involverar elektriska komponenter.

UPPACKNING OCH GRUPPERING

När alla komponenter är uppackade, arrangera delarna på botten av förpackningskartongen. Gruppera kartongerna efter deras identifierande symboler:

- FACK OCH BEN — Compartments & Legs
- HJUL OCH FÖTTER — Wheels & Hooves
- STYRENHET OCH HYLLOR — Controls & Shelving
- LOCK OCH GRILLENS INRE DELAR — Lid & Grill Internals

HARDWARE — ÖVERSIKT

Hardware-paketet innehåller skruvar, bultar, muttrar, sprintar, monteringsplattor och silikonbumpers. Varje hardware är märkt med en bokstav (A, B, C, ...) och avbildad i 1:1-skala i den engelska originalanvisningen så att du fysiskt kan jämföra hardwaren med diagrammet. Använd den engelska originalanvisningen för att identifiera hardware-delarna.

Bultar och skruvar	Bolts and screws — vanligen märkta A, B, C med dimensioner som 1/4-20 × 3/4 tum, 5/16-18 ×, etc.
Muttrar och brickor	Nuts and washers — platta brickor, splittringsbrickor.
Sprintar och låsmekanismer	Cotter pins, round cotter pin, clevis pin — för hjulaxlar och länkar.
Monteringsplattor	Mounting plates — för styrenhet och skruvhus.
Silikonbumpers	Silicone bumpers — på locket och andra kontaktytor.

MONTERINGSFÖRFARANDE — ÖVERSIKT

Följ steg-för-steg-diagrammen i den engelska originalanvisningen. Nedan en kort översikt över ordningen:

Steg 1 — Montera underrede och ben: Fäst benen på facksektionen i botten, montera tvärså och dra åt bultarna.

Steg 2 — Montera hjul och fötter: Sätt hjulen på ena sidan och fötterna (hooves) på andra sidan. Använd sprintar.

Steg 3 — Installera skruvhuset: Baksidan av grillkroppen. Dra åt alla skruvar korrekt.

Steg 4 — Montera styrenhet och anslutningar: Anslut alla kablar (temperaturgivare, styrenhetsstift, fläkt).

Steg 5 — Inre komponenter: Placera gnistskyddet (ember shield), fettavloppet (grease chute), värmespridaren (heat baffle) och droppskålen (drip tray) på plats.

Steg 6 — Grillgaller: Placera nedre och övre grillgaller.

Steg 7 — Hyllor och tillbehör: Montera eventuella P.A.L. POP-AND-LOCK™-skenor och sidobord.

Steg 8 — Slutkontroll: Verifiera att alla skruvar är åtdragna, att locket öppnas/stängs korrekt och att fettavloppet är korrekt placerat.

EFTER MONTERINGEN

När grillen är monterad, följ stegen i bruksanvisningen för anslutning till Wi-Fi och inkörning (seasoning) av grillen innan du lagar mat.

- Se bruksanvisningen för fullständiga drift- och säkerhetsinstruktioner.
- Använd endast Traeger-träpellets.
- Anslut grillen till Traeger-appen via WiFIRE® och ladda ner de senaste firmware-uppdateringarna.
- Genomför den obligatoriska inkörningscykeln (seasoning) innan första tillagning.

REFERENS TILL ENGELSK ORIGINAL

Den engelska originalanvisningen innehåller de visuella elementen som behövs för att montera grillen korrekt: 1:1-skala hardware-diagram, steg-för-steg-ritningar, identifieringssymboler för förpackningskartonger och animerade video-instruktioner via QR-kod. Vi kan inte återge dessa visuella element i denna översättning.

Skanna QR-koden i den fysiska anvisningen eller besök traeger.com/support för att se animerade monteringssteg.

SERVICE

TRAEGERS LEGENDARISKA KUNDSERVICE är den bästa som finns. Om du har frågor om monteringen kan du nå oss på:

Telefon (internationellt):	traeger.com/support/international-contact-info
Webbplats:	support.traeger.com
Adress:	Traeger Pellet Grills Europe ApS — Kattegatvej 40, 2150 København, Danmark

Kunder utanför USA och Kanada bör kontakta den lokala distributören i sitt land för hjälp med monteringen.

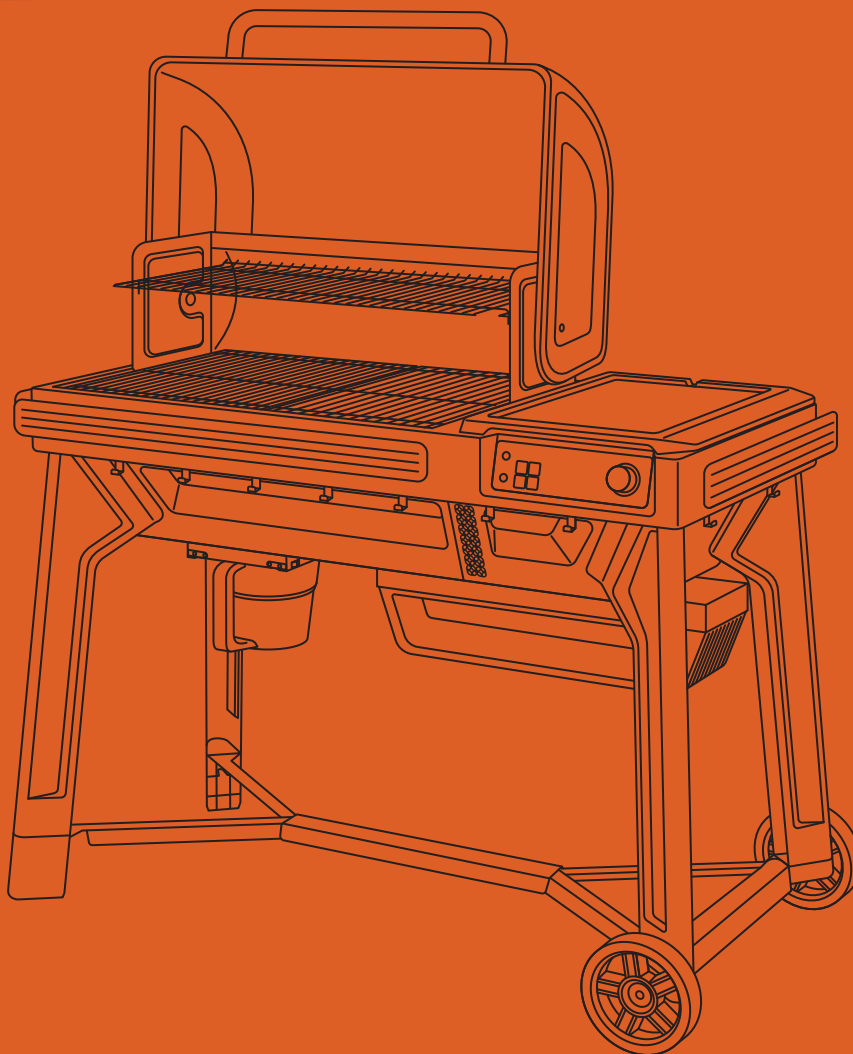


ASSEMBLY GUIDE

WOODRIDGE WOOD PELLET GRILL



**SCAN FOR
STEP BY STEP
ANIMATED
INSTRUCTIONS**



A MAJOR CAUSE OF FIRES IS FAILURE TO MAINTAIN REQUIRED CLEARANCES (AIR SPACES) TO COMBUSTIBLE MATERIALS. IT IS OF UTMOST IMPORTANCE THAT THIS PRODUCT BE INSTALLED ONLY IN ACCORDANCE WITH THESE INSTRUCTIONS.

IMPORTANT: RETAIN FOR FUTURE REFERENCE. READ CAREFULLY.

T18983

©2025 TRAEGER PELLET GRILLS LLC.
ALL RIGHTS RESERVED.

TRAERER PELLET GRILLS LLC

533 South 400 West
Salt Lake City, UT 84101

TRAERER.COM

BEFORE YOU BUILD

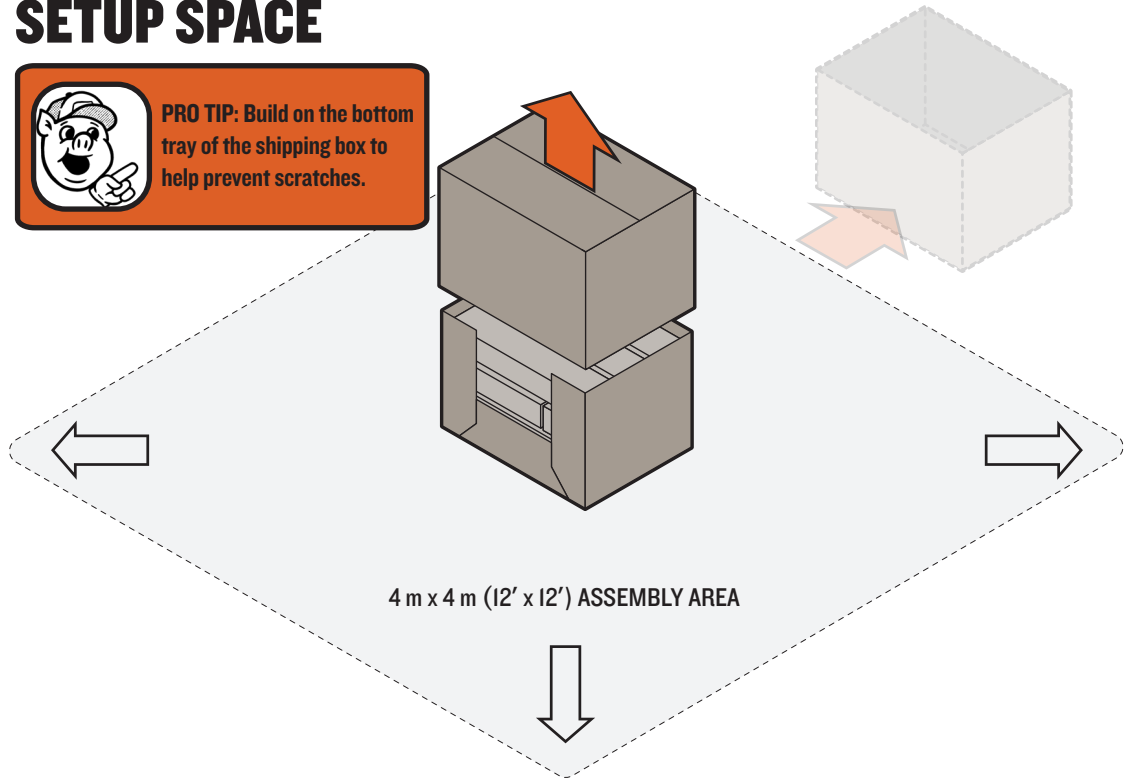
PLEASE READ THIS ASSEMBLY GUIDE AND YOUR OWNER'S MANUAL BEFORE INSTALLATION AND USE OF YOUR TRAEGER GRILL. FAILURE TO FOLLOW THE INSTRUCTIONS IN THIS ASSEMBLY GUIDE AND YOUR OWNER'S MANUAL COULD RESULT IN PROPERTY DAMAGE, BODILY INJURY, OR EVEN DEATH.

When using your grill, maintain a MINIMUM distance of 50.8 cm (20 inches) from the grill to any nearby combustibles, including wooden railings, home siding, window frames, furniture, trees, trash receptacles, etc. Do not install or operate this grill on combustible floors or surfaces, indoors, or under a combustible ceiling or overhang. Read the Owner's Manual for additional instructions and warnings.

SETUP SPACE



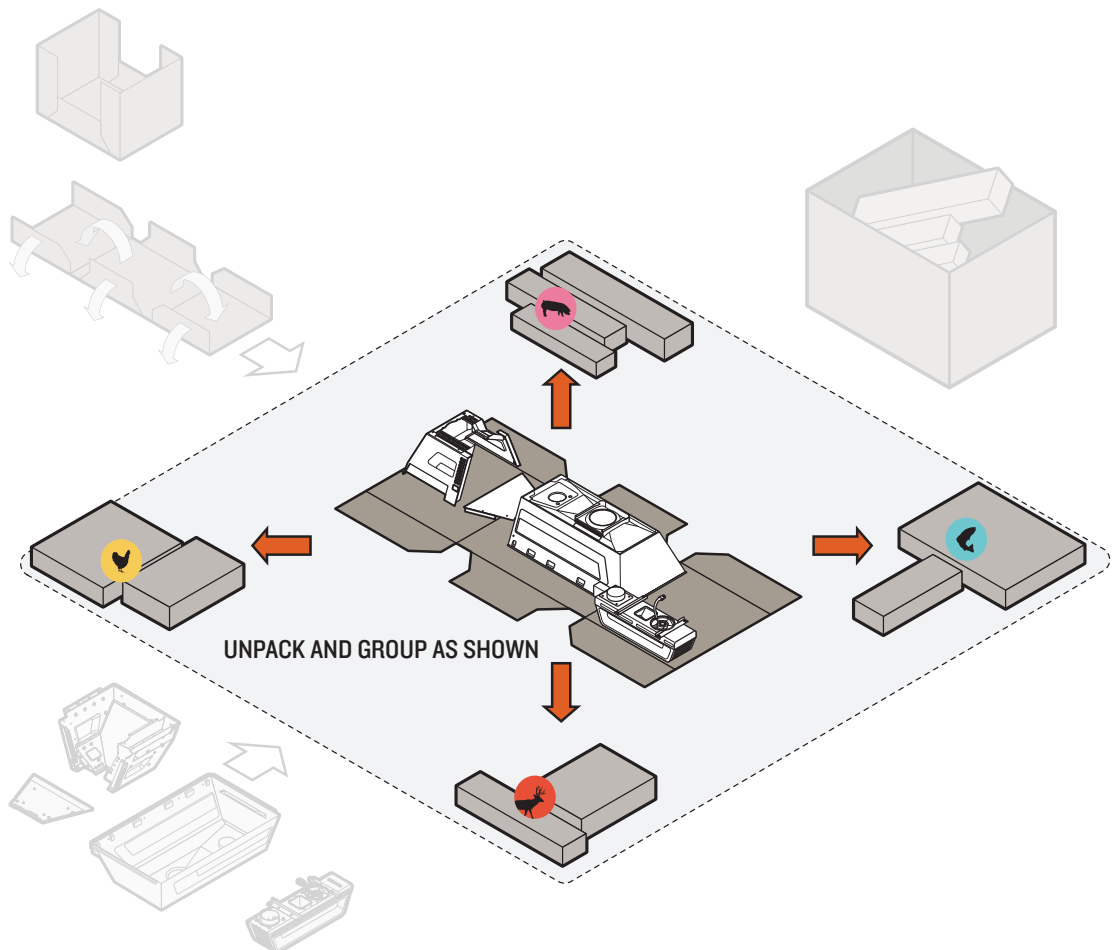
PRO TIP: Build on the bottom tray of the shipping box to help prevent scratches.



PRO TIP: We recommend assembling your grill with two people.

SETUP

Once all components are unpacked, arrange pieces onto the bottom tray of the shipping box.



GROUP BOXES BY THEIR IDENTIFYING SYMBOLS, SHOWN BELOW:



COMPARTMENTS & LEGS



WHEELS & HOOVES



CONTROLS & SHELVING

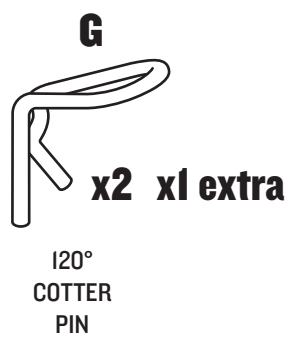
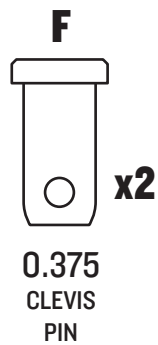
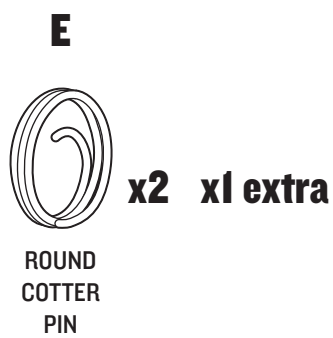
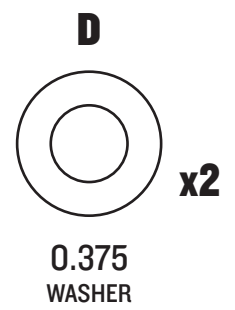
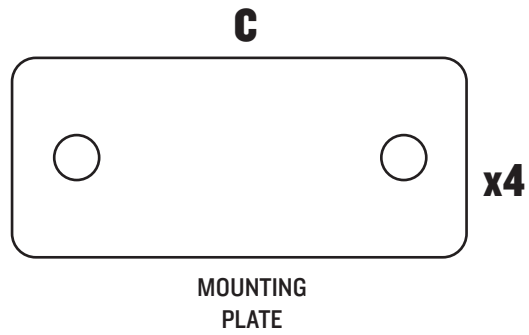
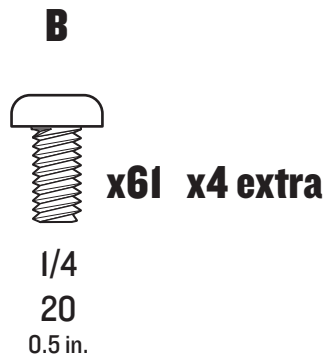
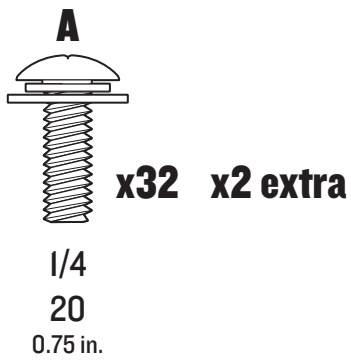


LID & GRILL INTERNALS



HARDWARE (TOTAL QUANTITIES)

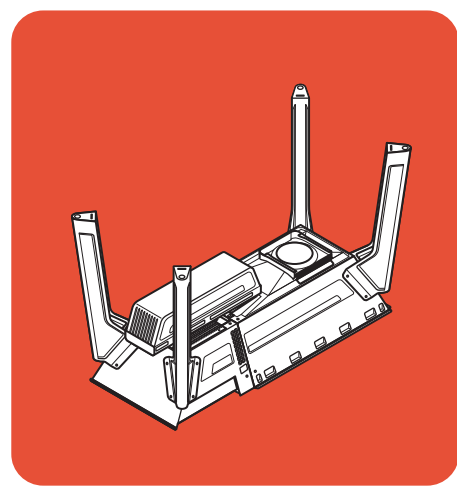
1:1 SCALE



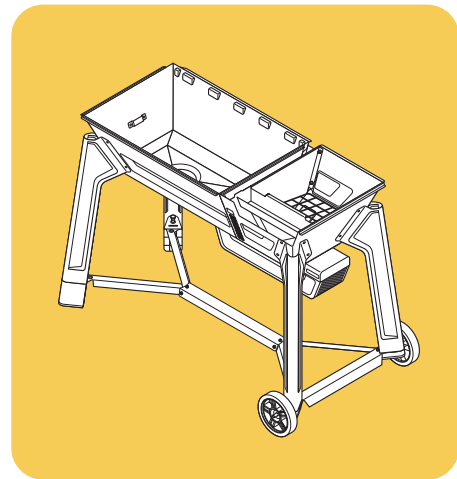
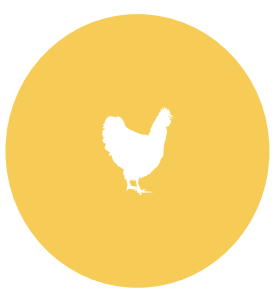


CHAPTERS

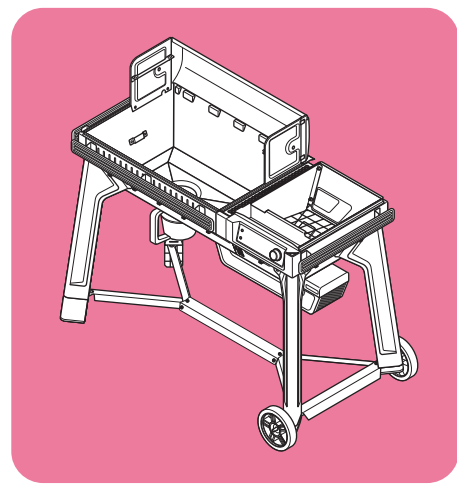
CHAPTER 1 – PAGE 5
COMPARTMENTS & LEGS



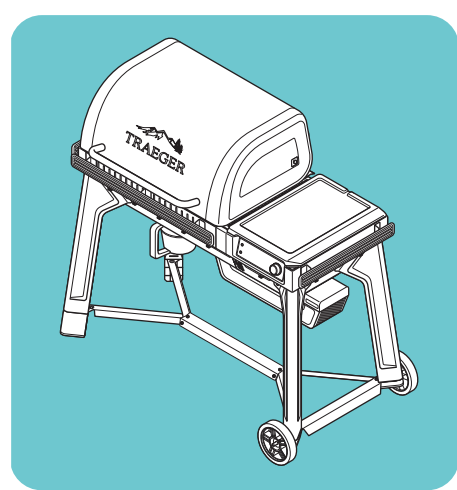
CHAPTER 2 – PAGE 13
WHEELS & HOOVES



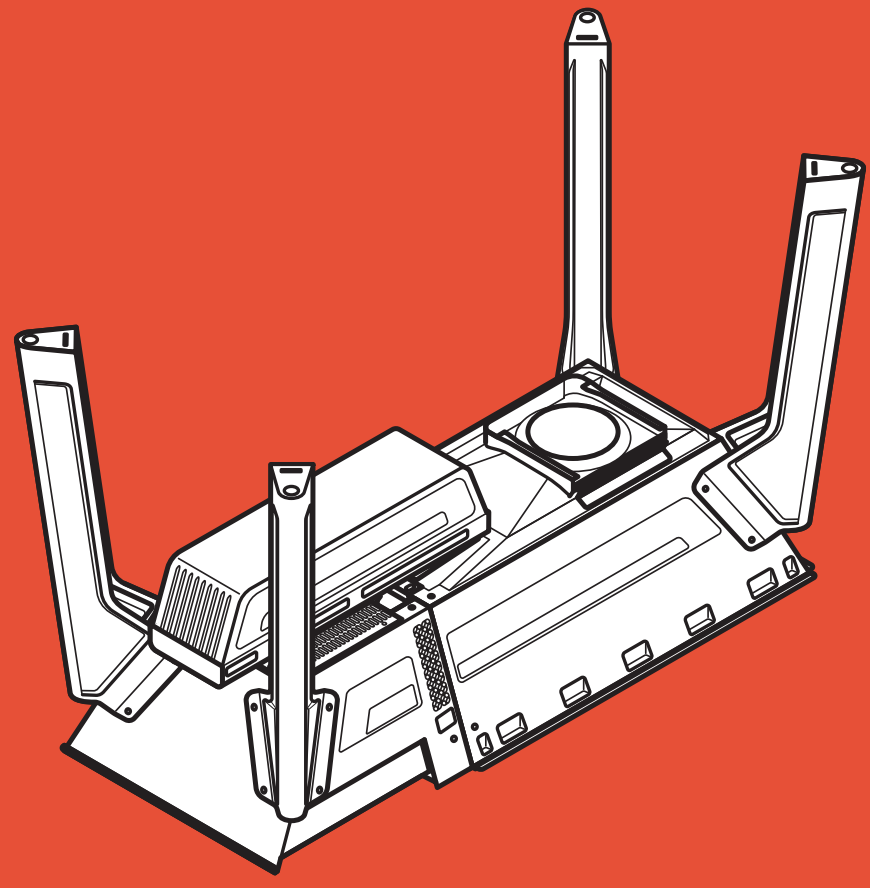
CHAPTER 3 – PAGE 19
CONTROLS & SHELVING



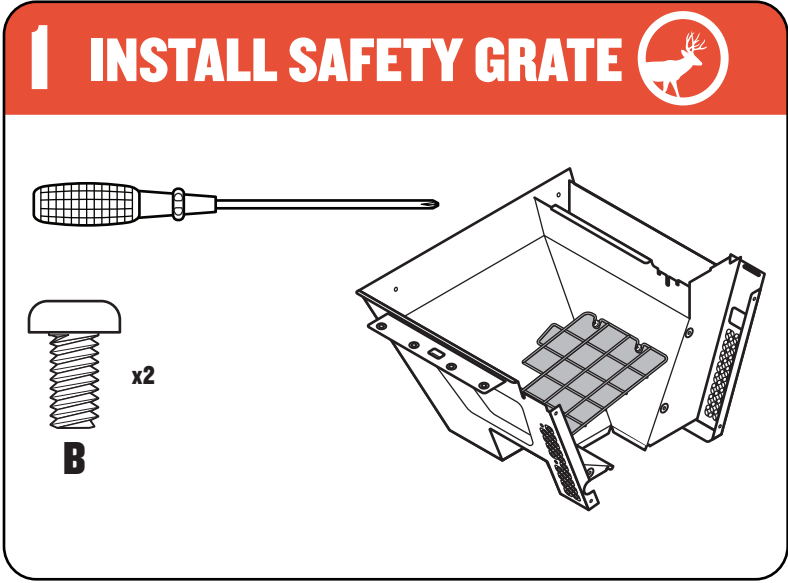
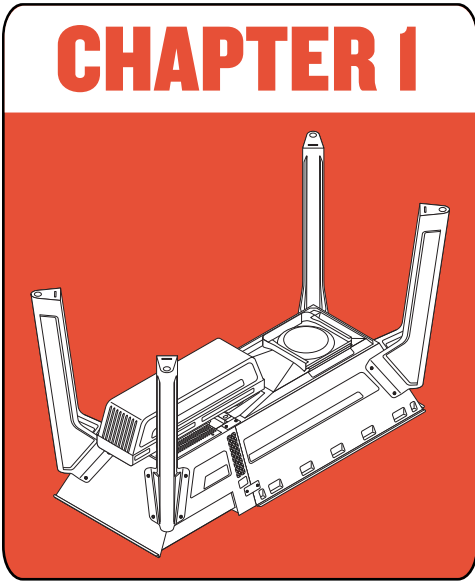

CHAPTER 4 – PAGE 31
LID & GRILL INTERNALS



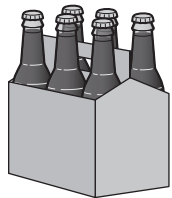
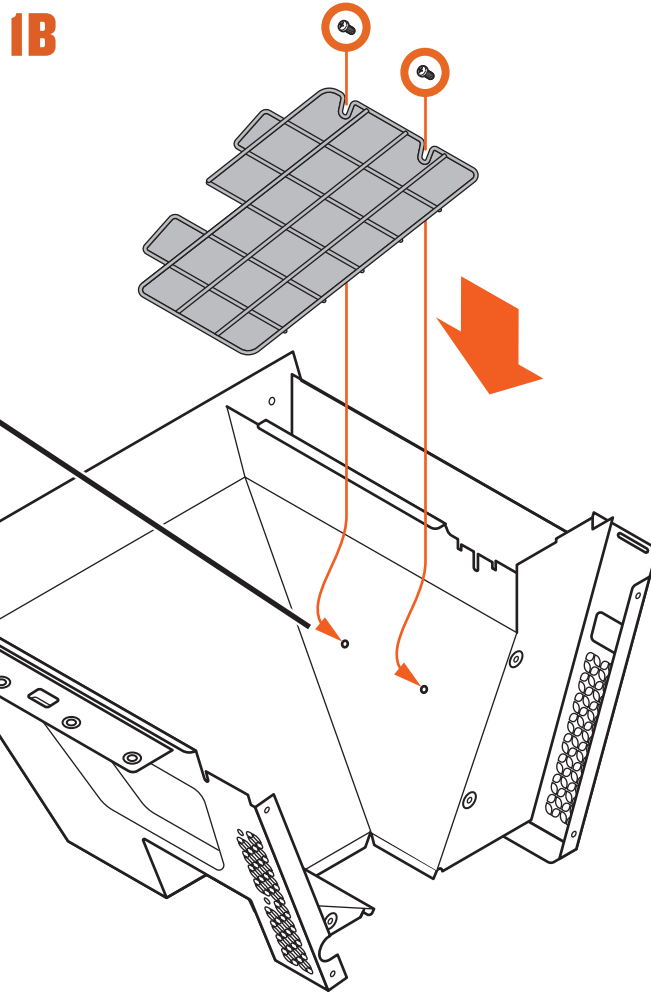
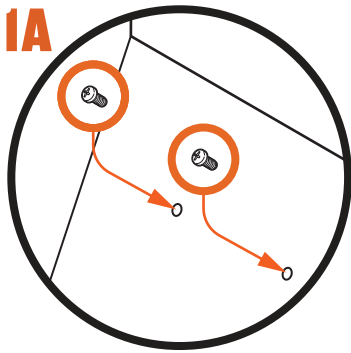
CHAPTER 1



COMPARTMENTS & LEGS

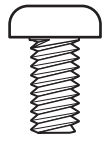
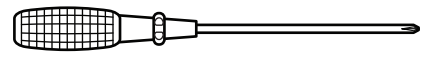



PRO TIP: Hand-tighten all screws first, then finish tightening with screwdriver.



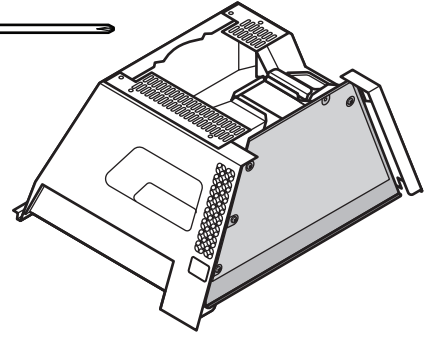


2 ASSEMBLE HOPPER

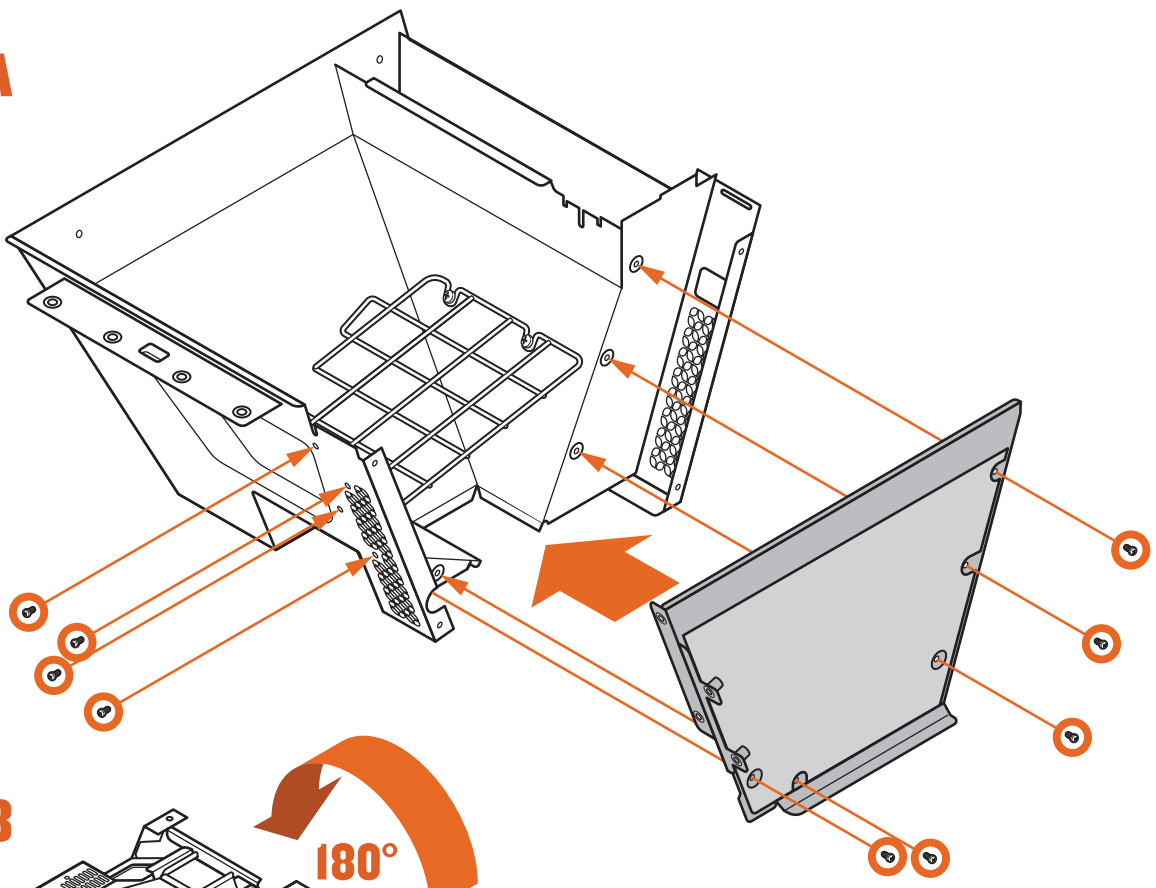


x9

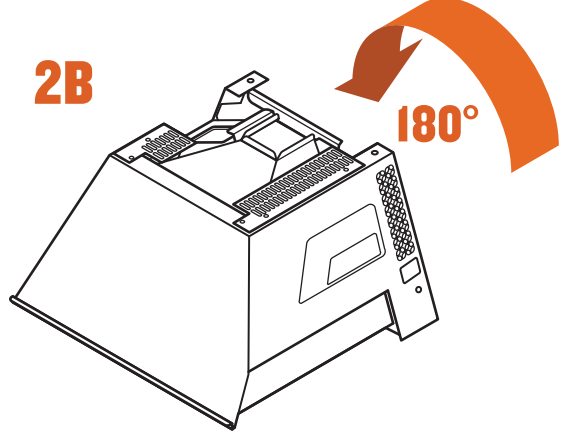
B



2A

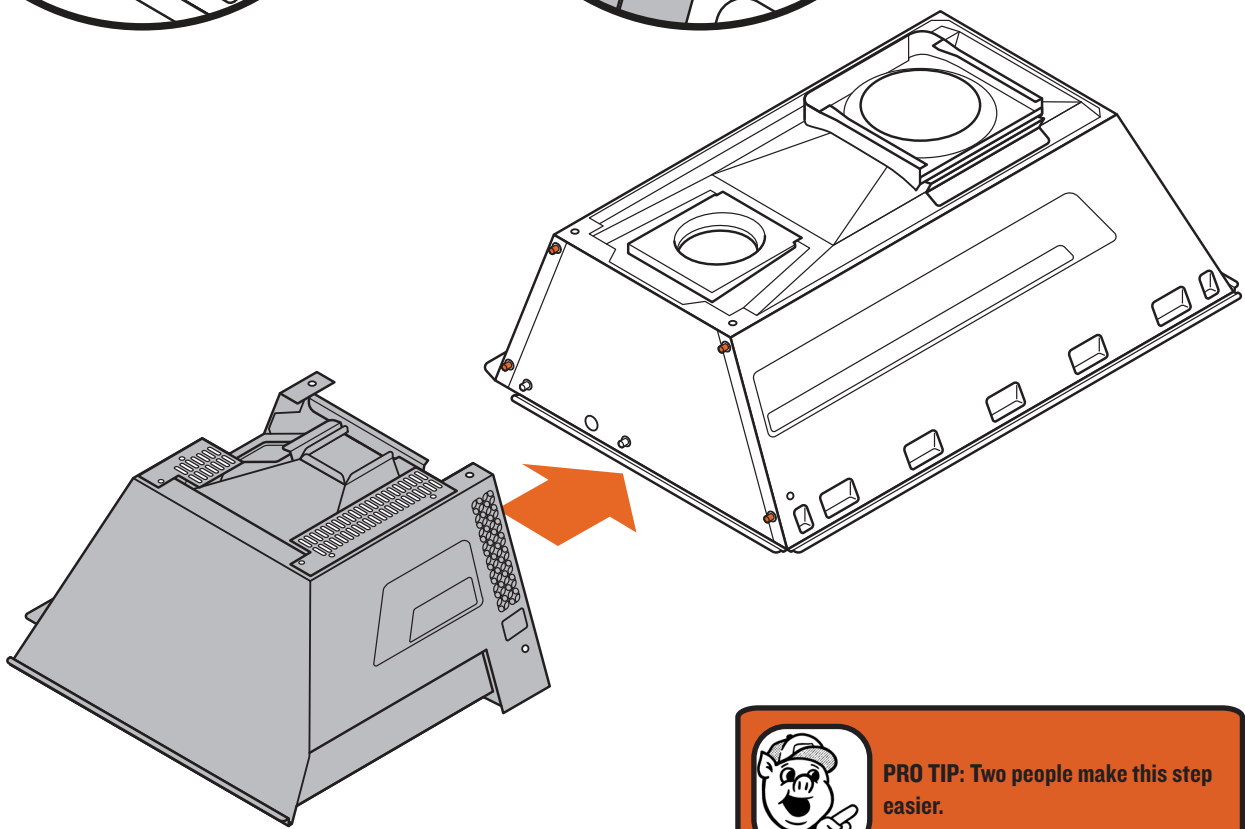
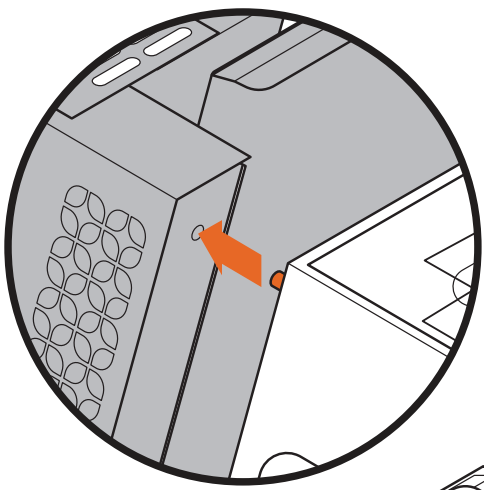
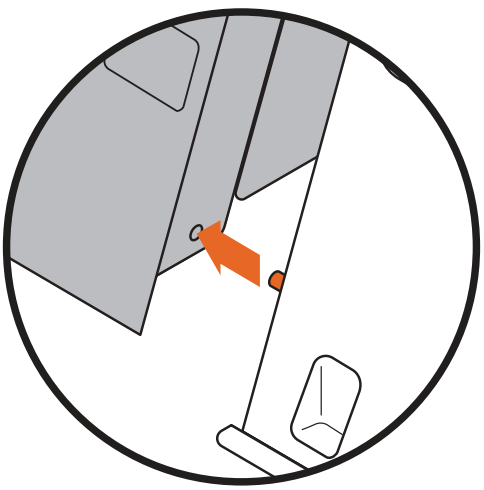
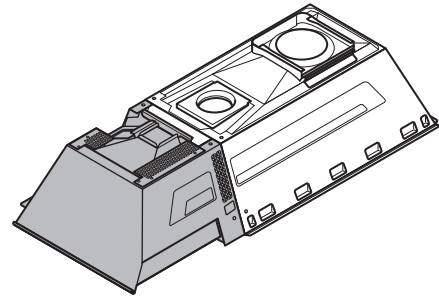



2B





3A ATTACH HOPPER TO BODY

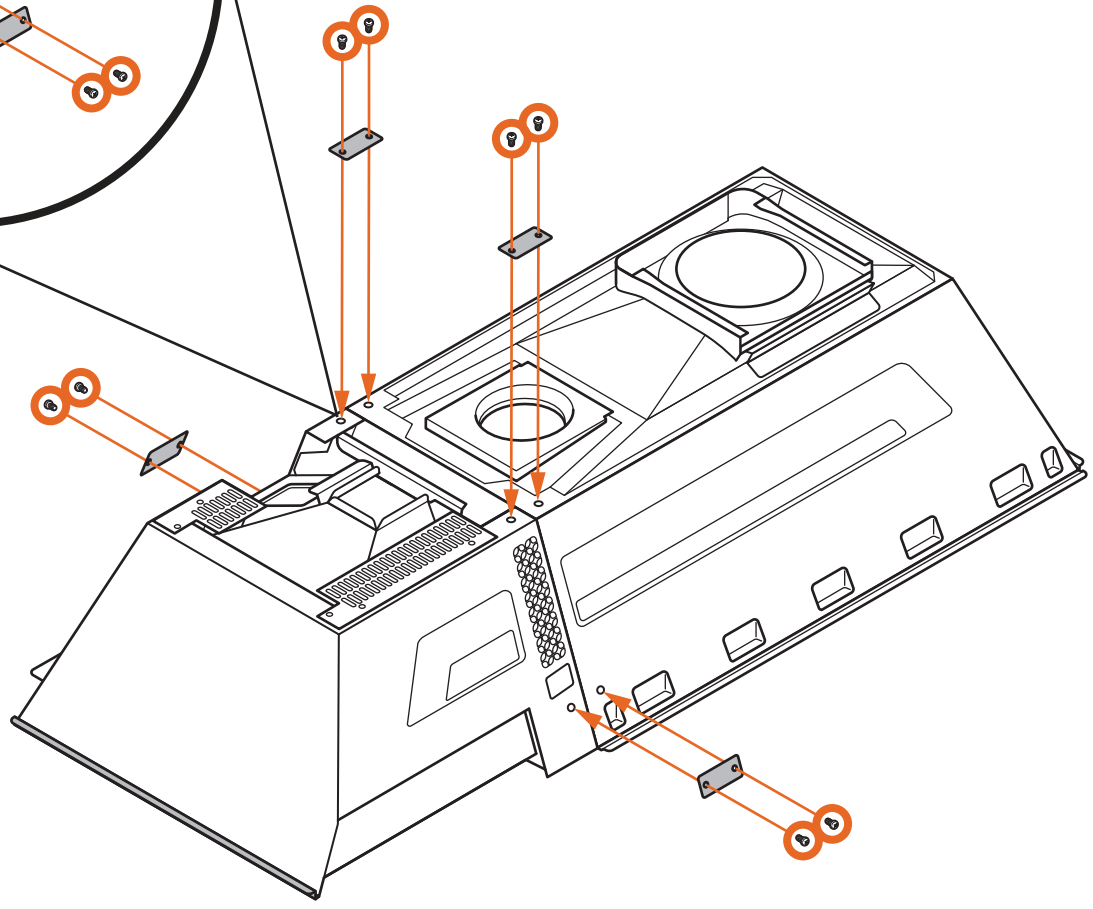
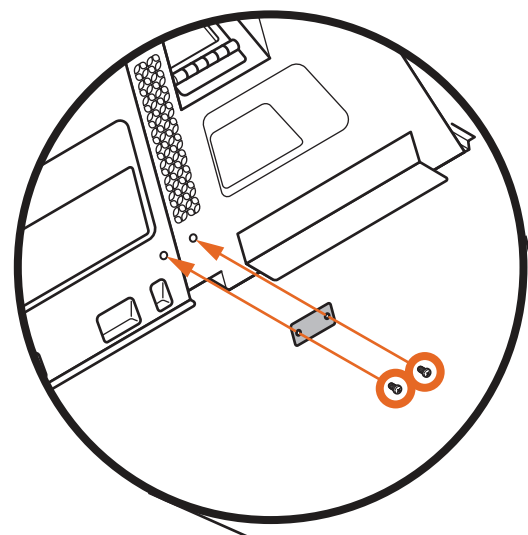
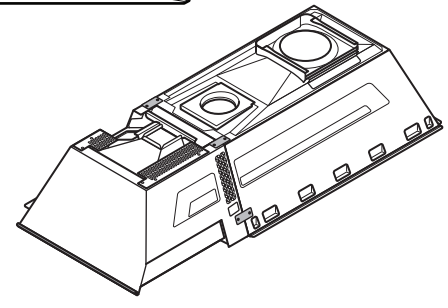
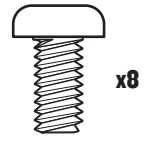
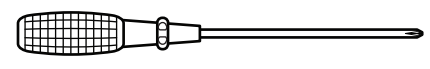


 **PRO TIP:** Two people make this step easier.



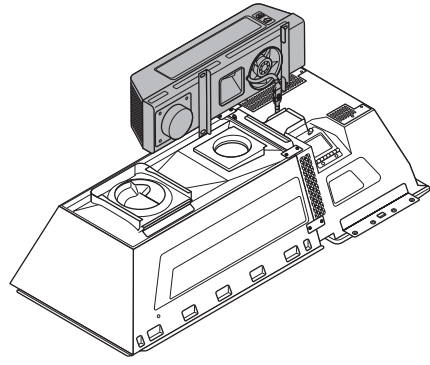
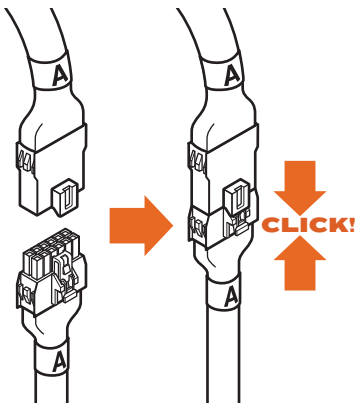


3B ATTACH HOPPER TO BODY





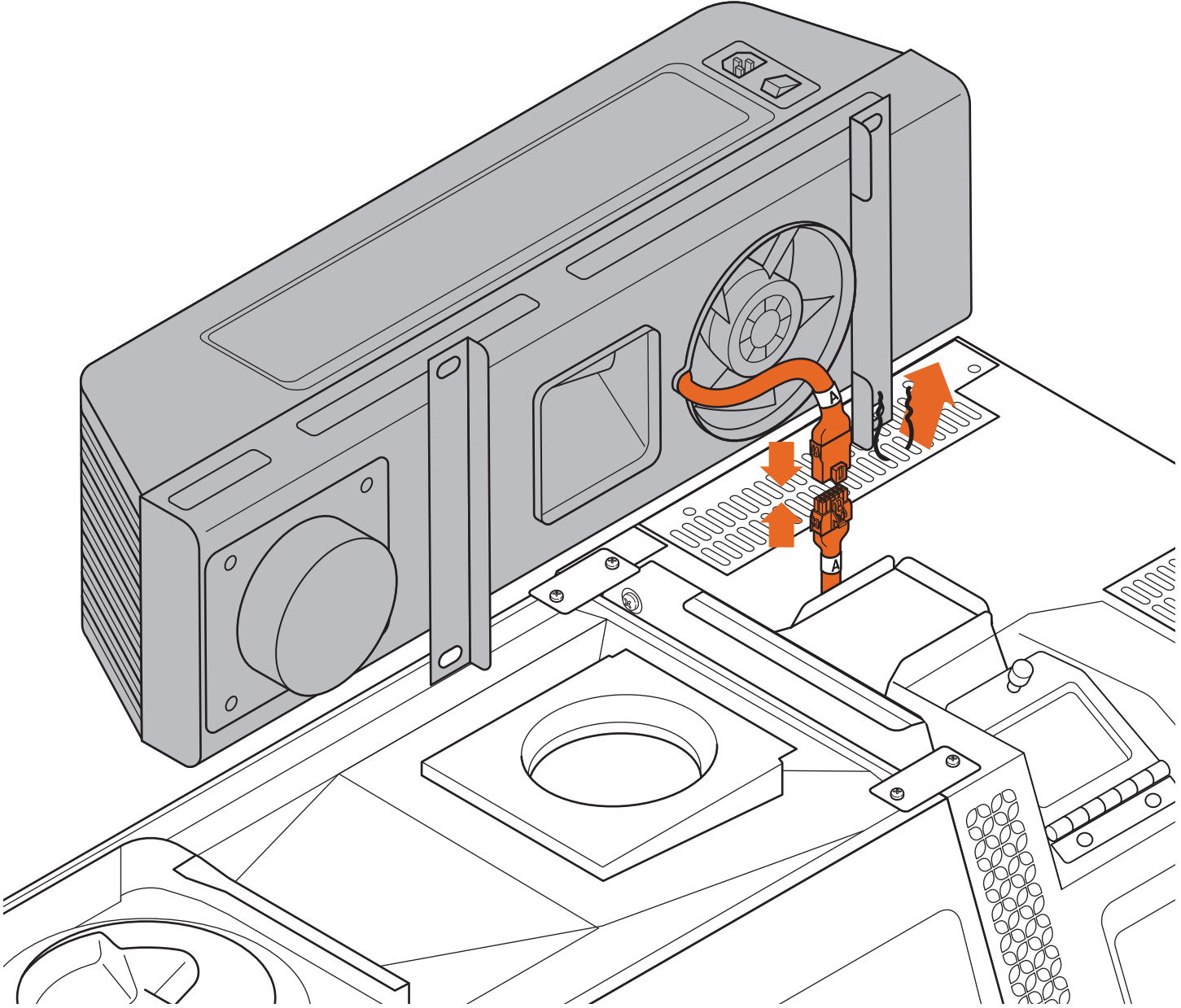
4 CONNECT AUGER BOX



PRO TIP: Have a second person hold the auger box while you connect the cord.

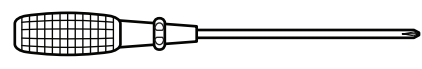


PRO TIP: Don't forget to remove the twist tie and tape holding down the cord.

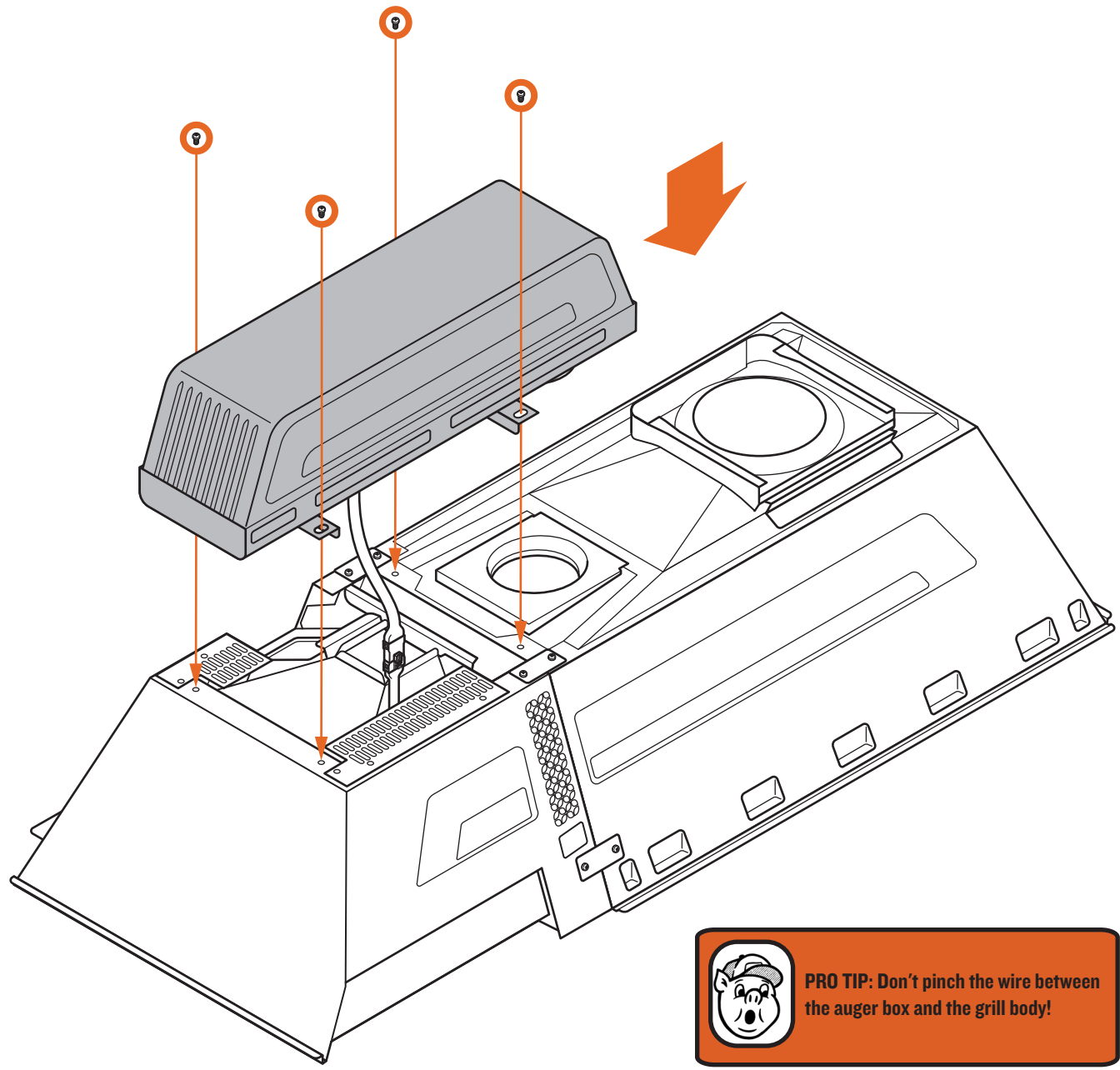
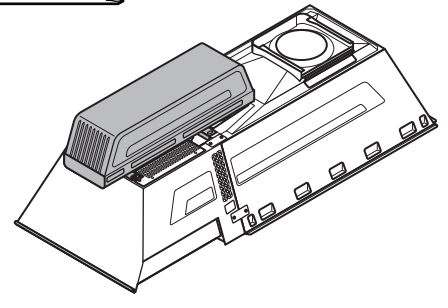
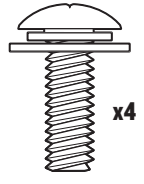




5 ATTACH AUGER BOX



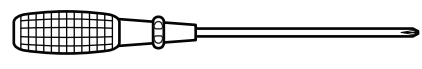
Use **THIS** screw now!



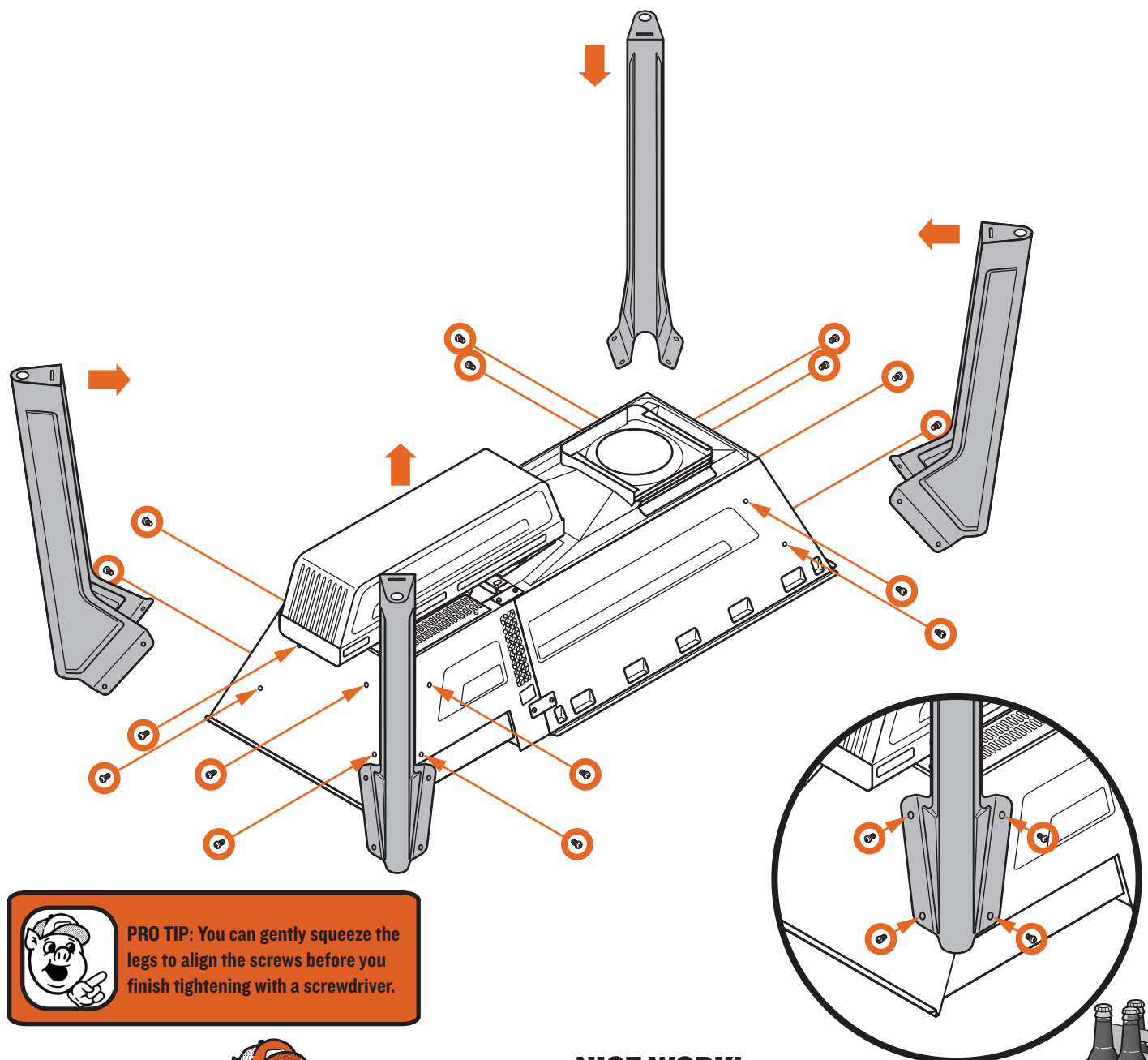
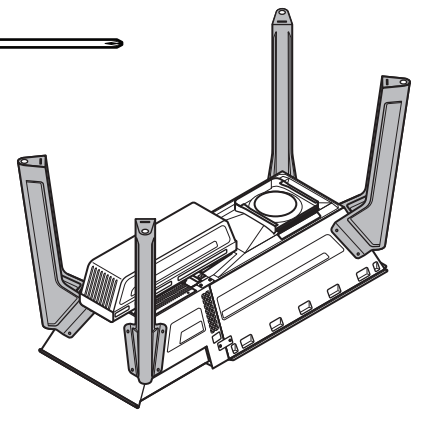
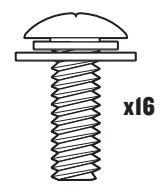
 **PRO TIP:** Don't pinch the wire between the auger box and the grill body!




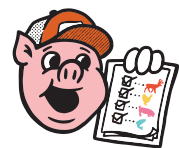
6 ATTACH LEGS



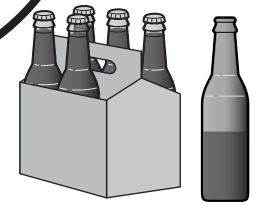
Use **THIS** screw again!



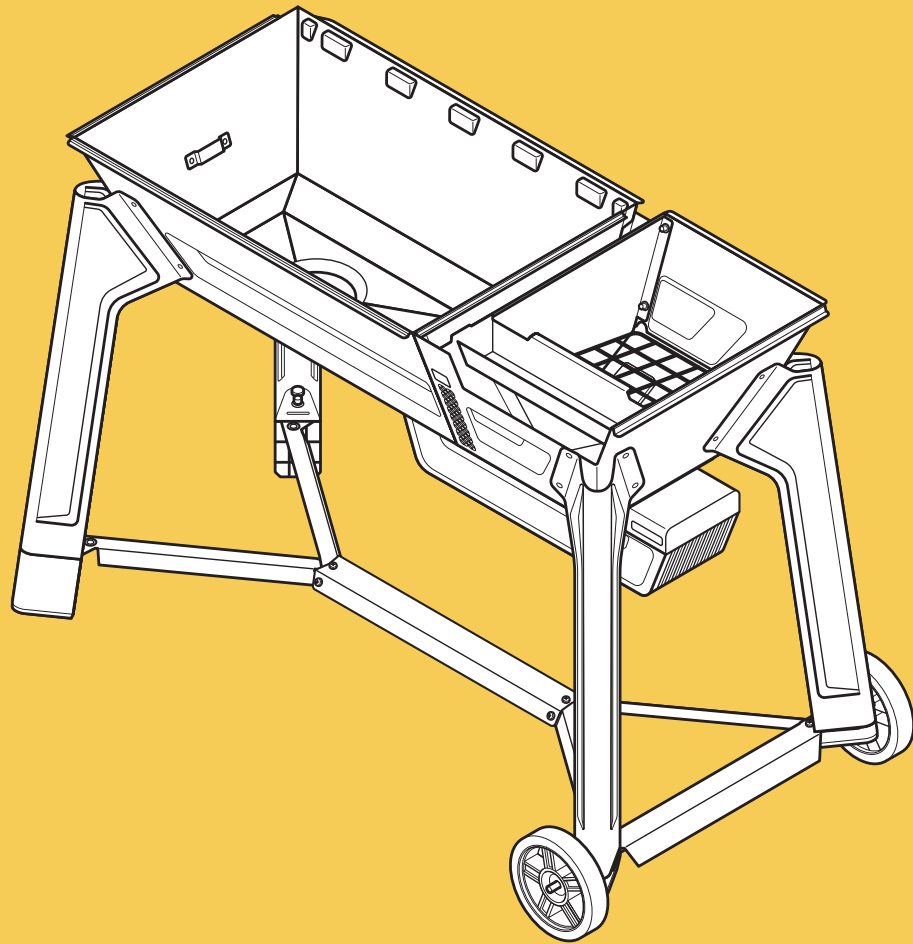
 **PRO TIP:** You can gently squeeze the legs to align the screws before you finish tightening with a screwdriver.



**NICE WORK!
CHAPTER I COMPLETE!**

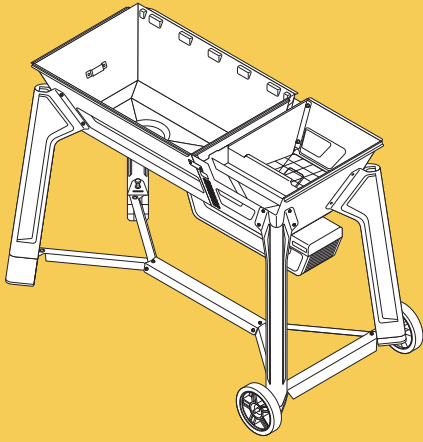


CHAPTER 2

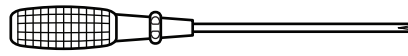


WHEELS & HOOVES

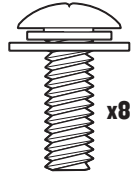
CHAPTER 2



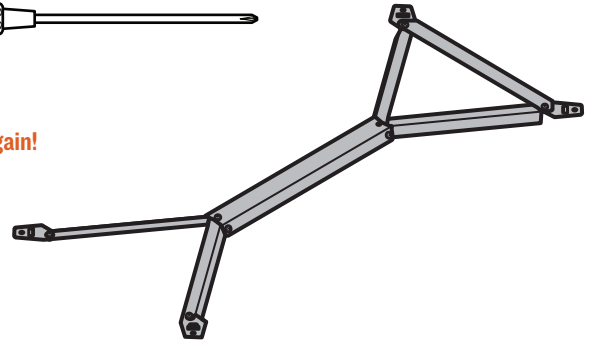
1 ASSEMBLE BRACE/AXLE COVER



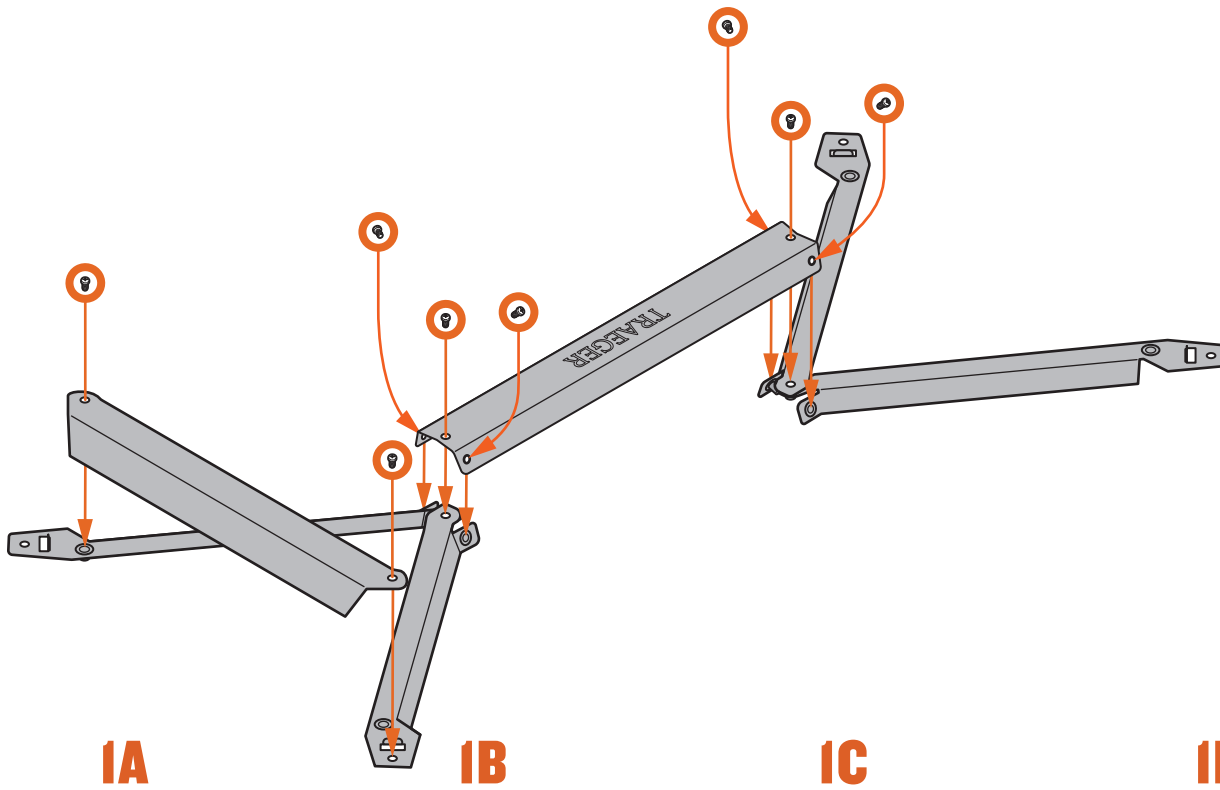
Use THIS screw again!



A



PRO TIP: Hand-tighten all screws first, then finish tightening with screwdriver.

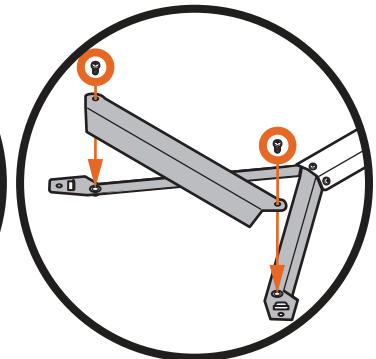
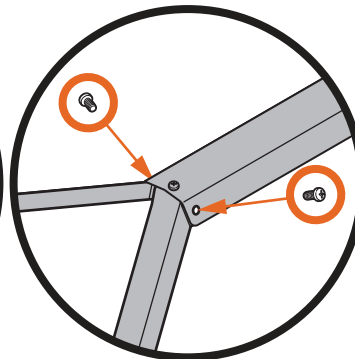
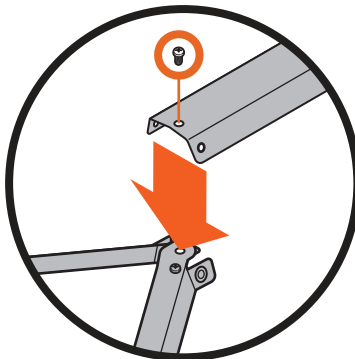
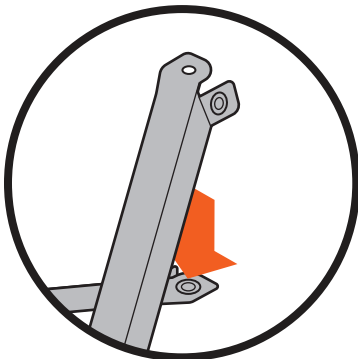


IA

IB

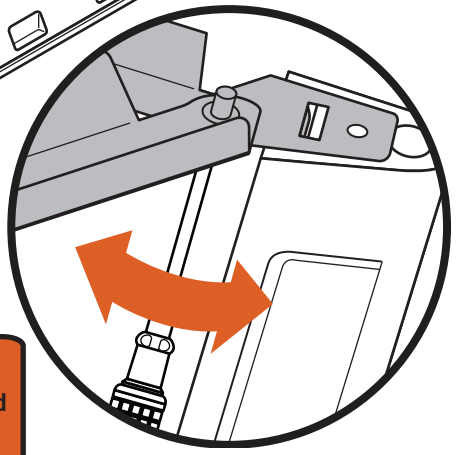
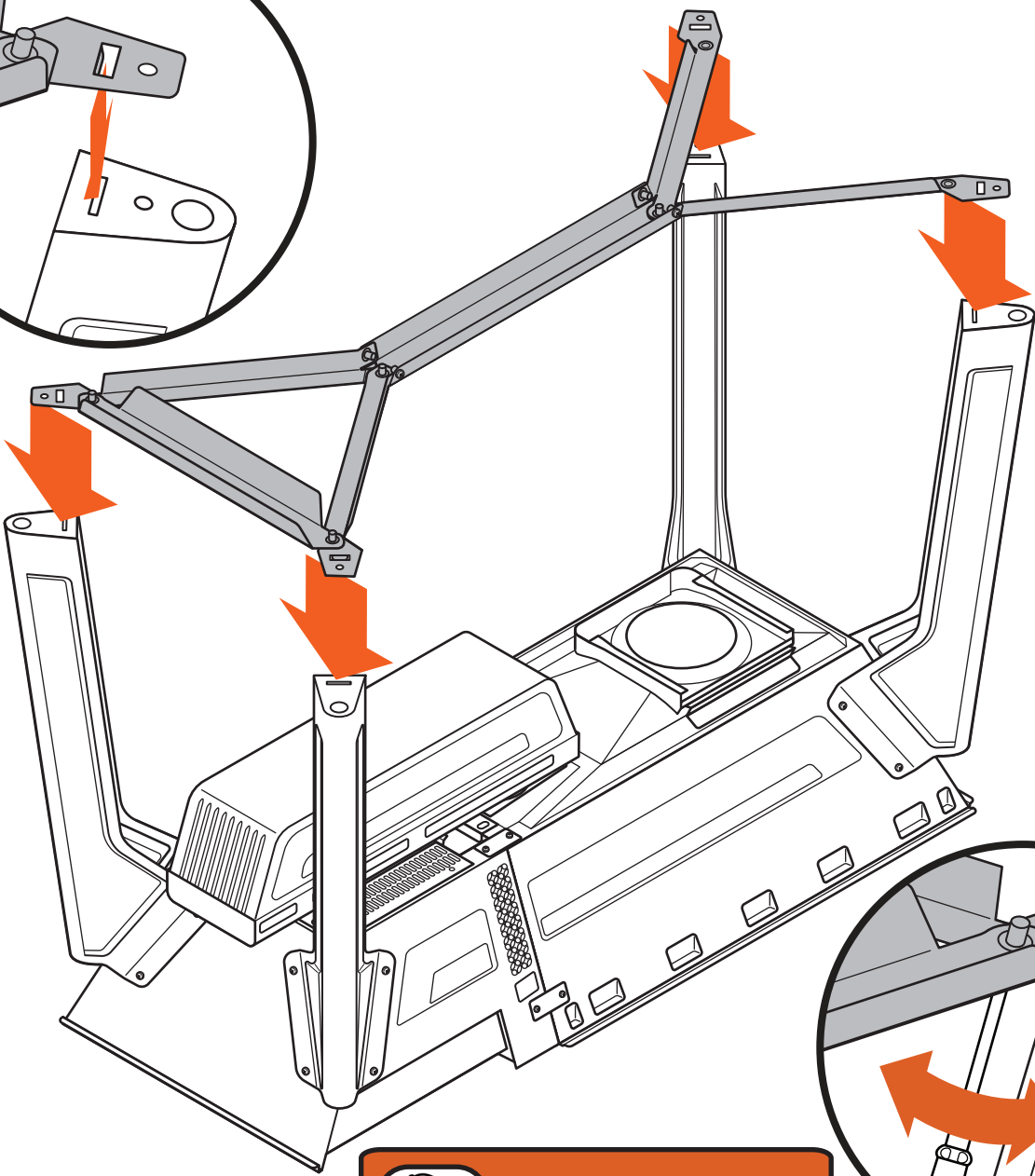
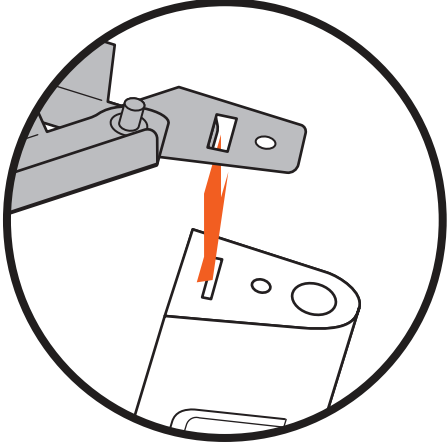
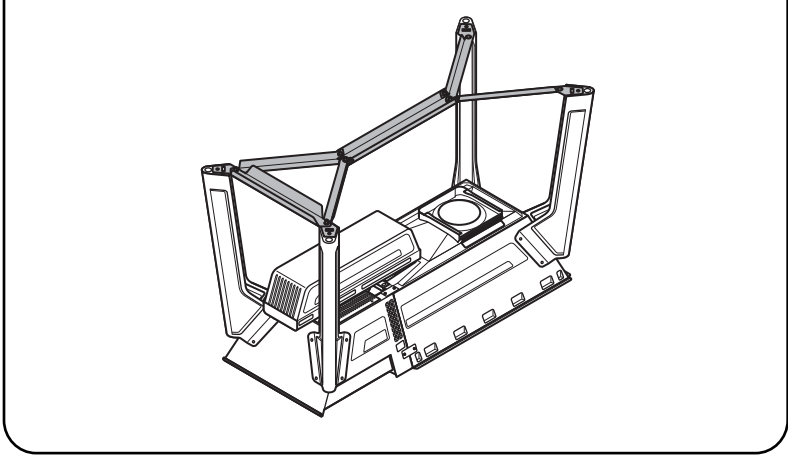
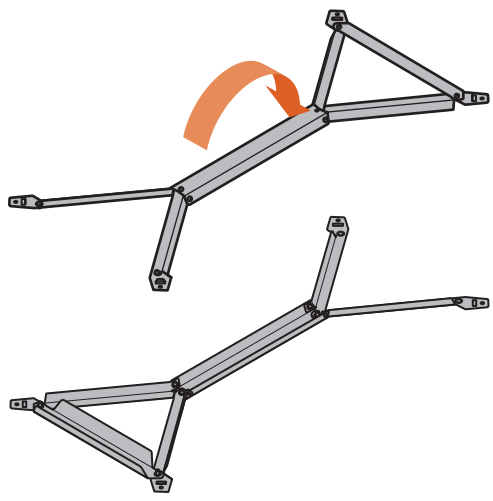
IC


ID

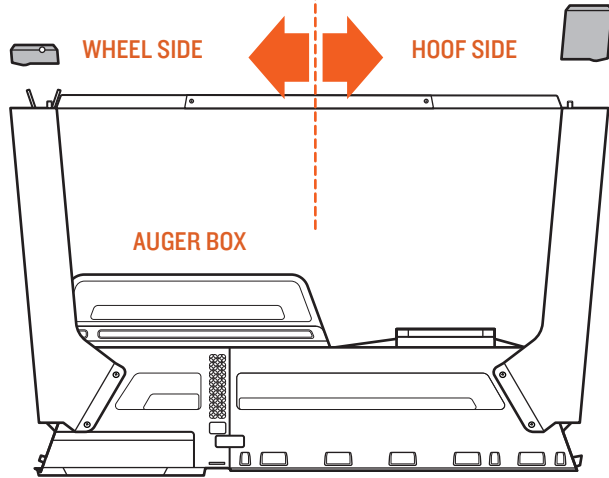




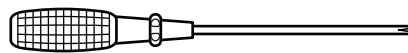
2 ATTACH BRACE/AXLE COVER



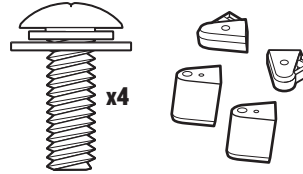
 **PRO TIP:** To adjust brace, loosen and tighten screws as needed.



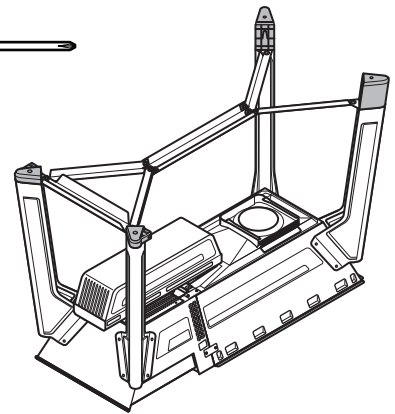
3 ATTACH WHEEL HOOVES



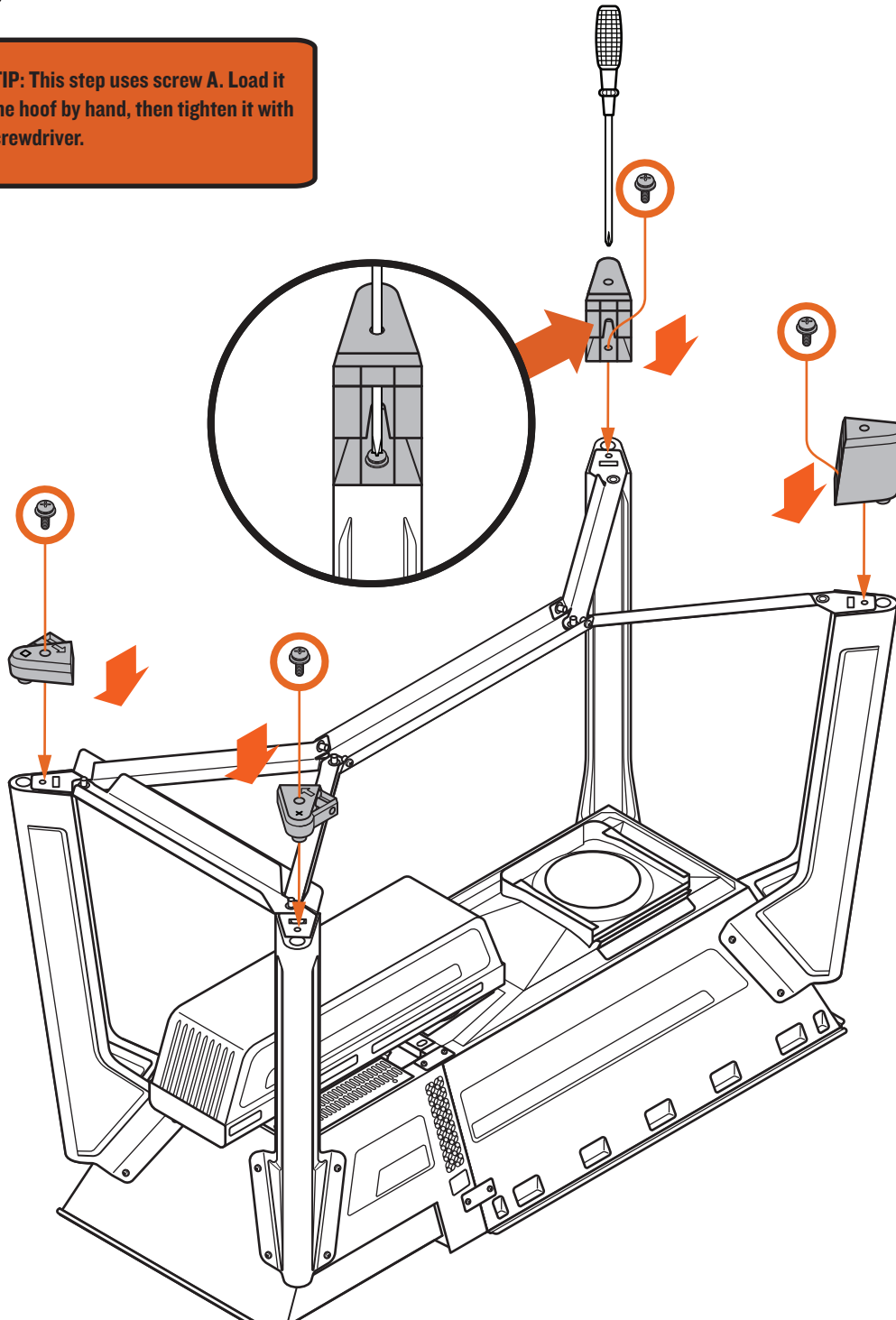
Use THIS screw again!



A



PRO TIP: This step uses screw A. Load it into the hoof by hand, then tighten it with the screwdriver.



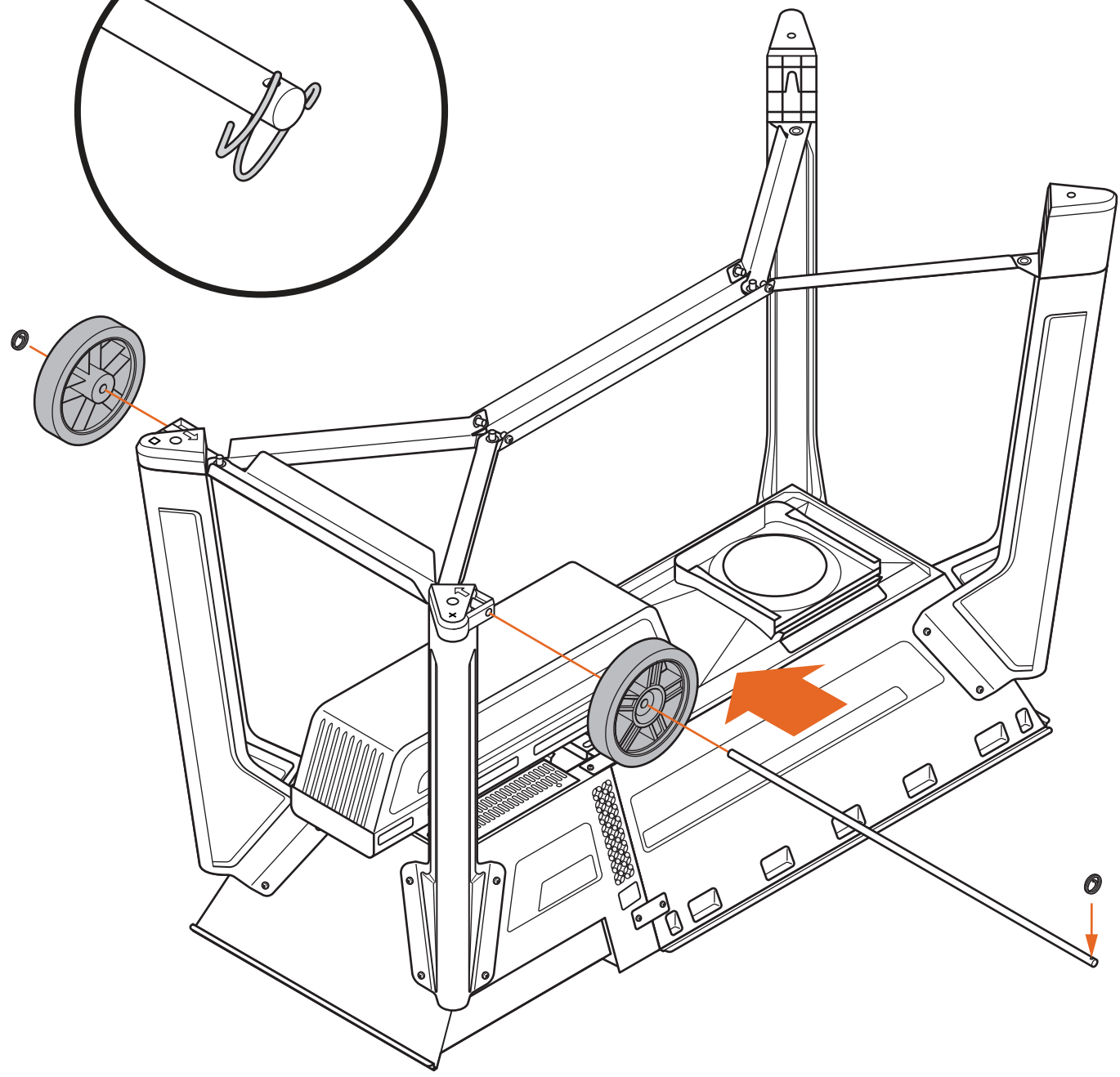
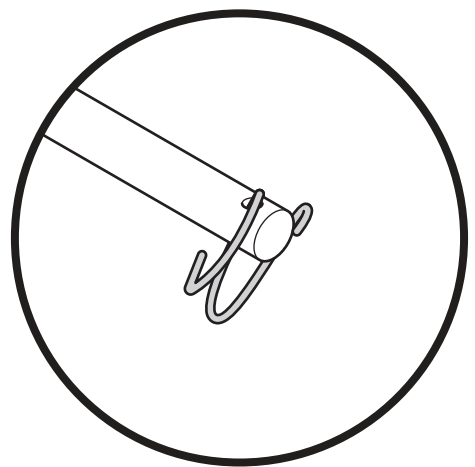
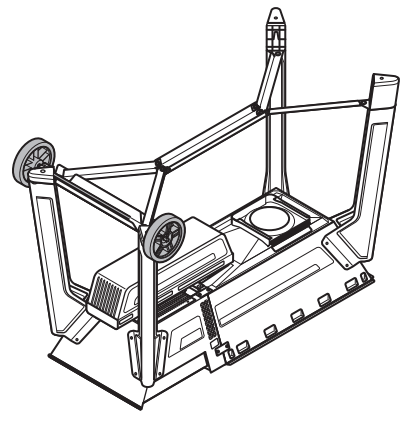



4 ASSEMBLE WHEELS



x2

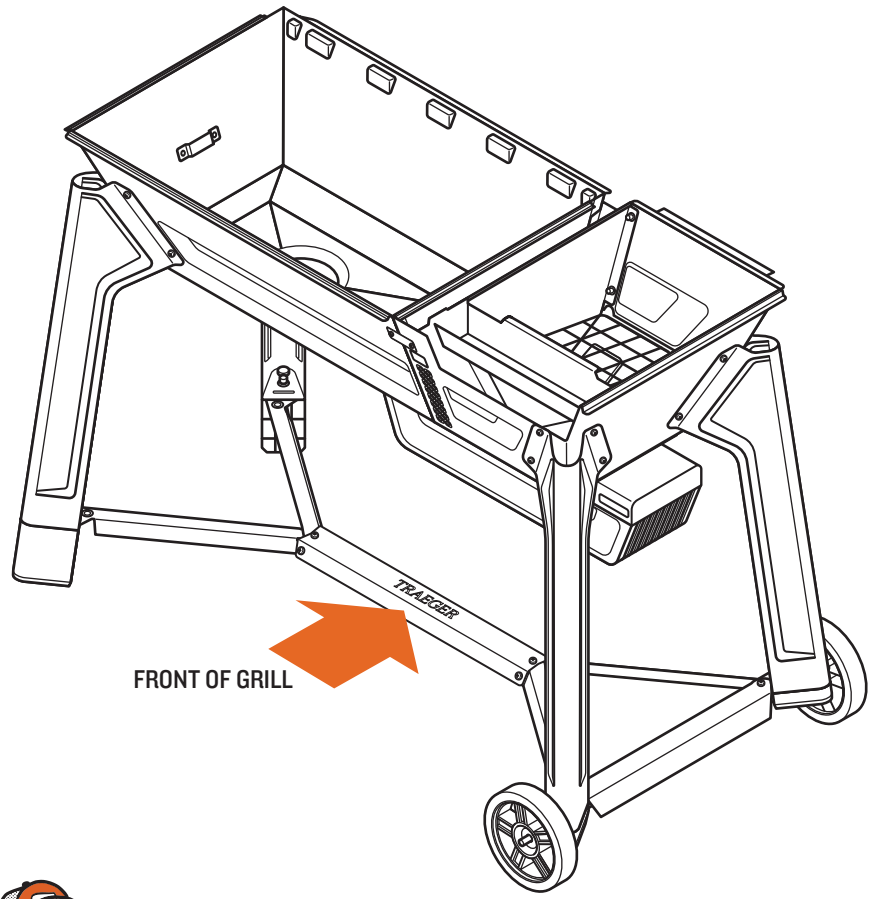
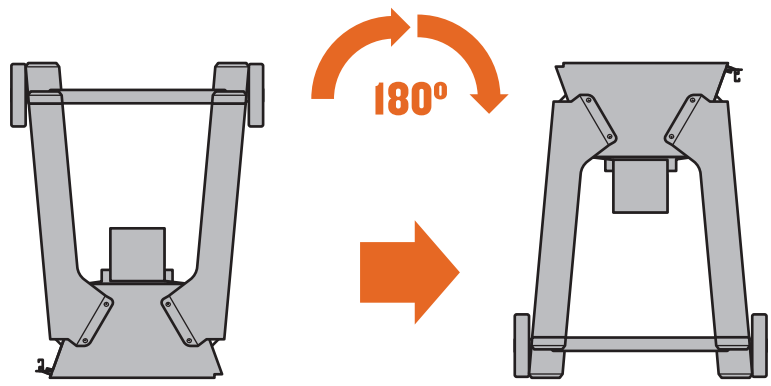
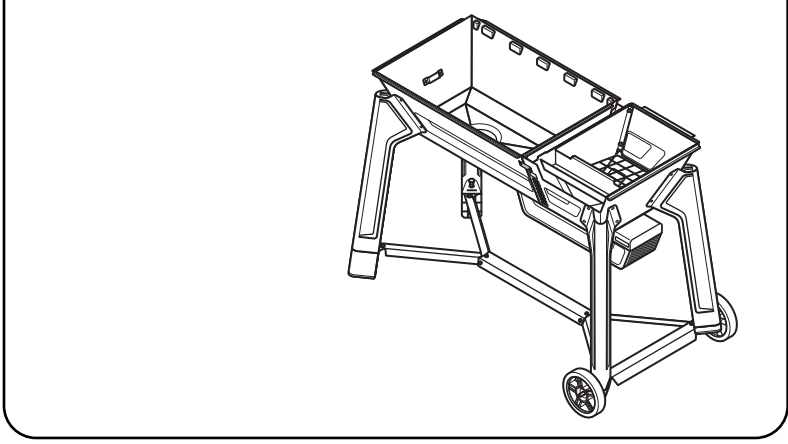
E



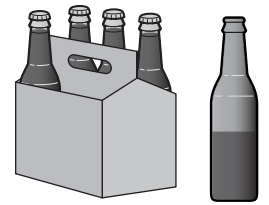



PRO TIP: Have a second person help lift and rotate the grill.

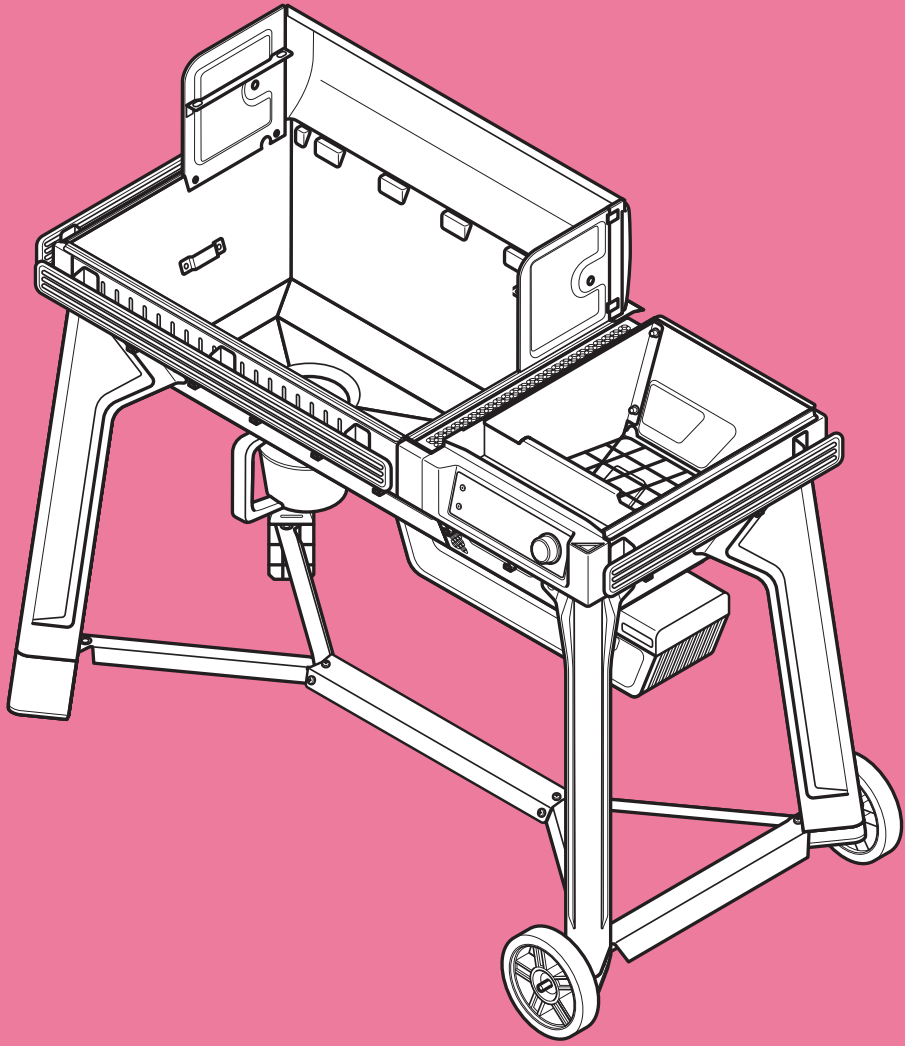
5 FLIP GRILL OVER



**NICE WORK!
CHAPTER 2 COMPLETE!**



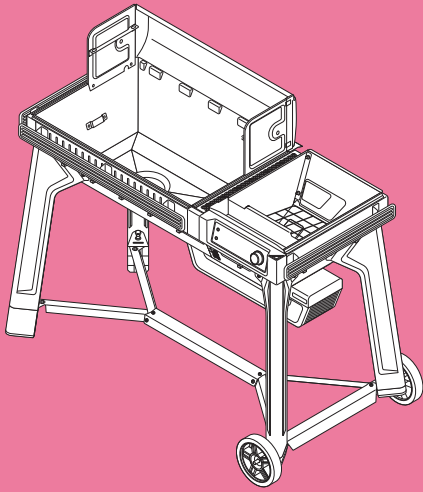
CHAPTER 3



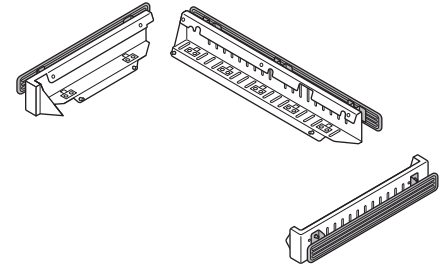
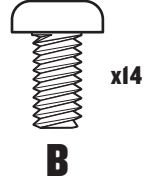
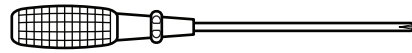
CONTROLS & SHELVING



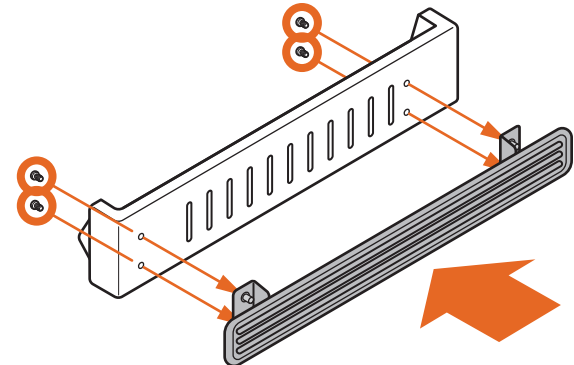
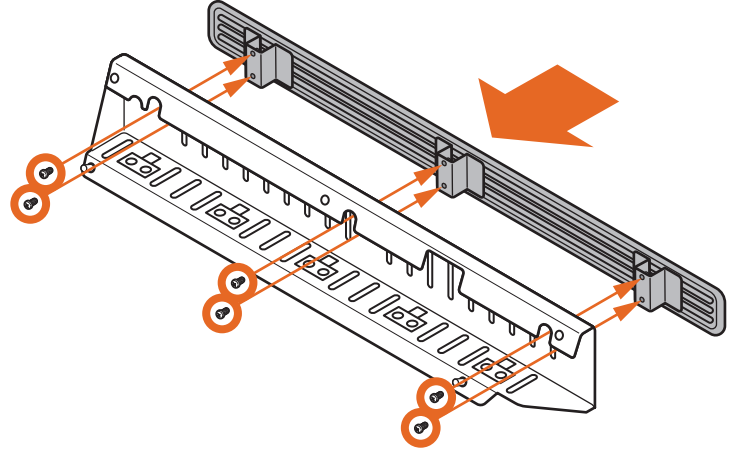
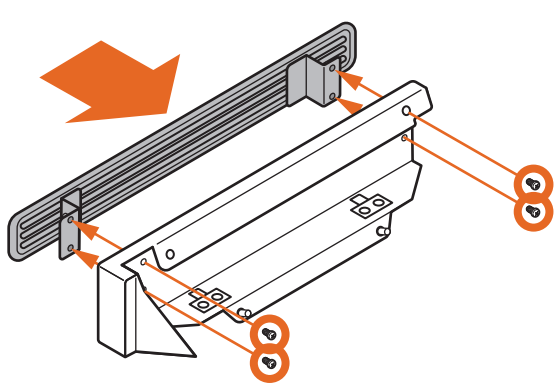
CHAPTER 3



1 BUILD P.A.L. RAILS



PRO TIP: Hand-tighten all screws first, then finish tightening with screwdriver.






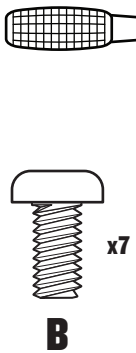
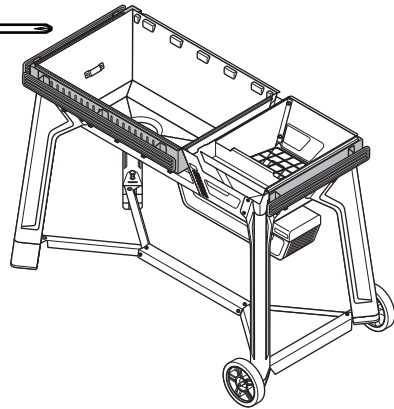
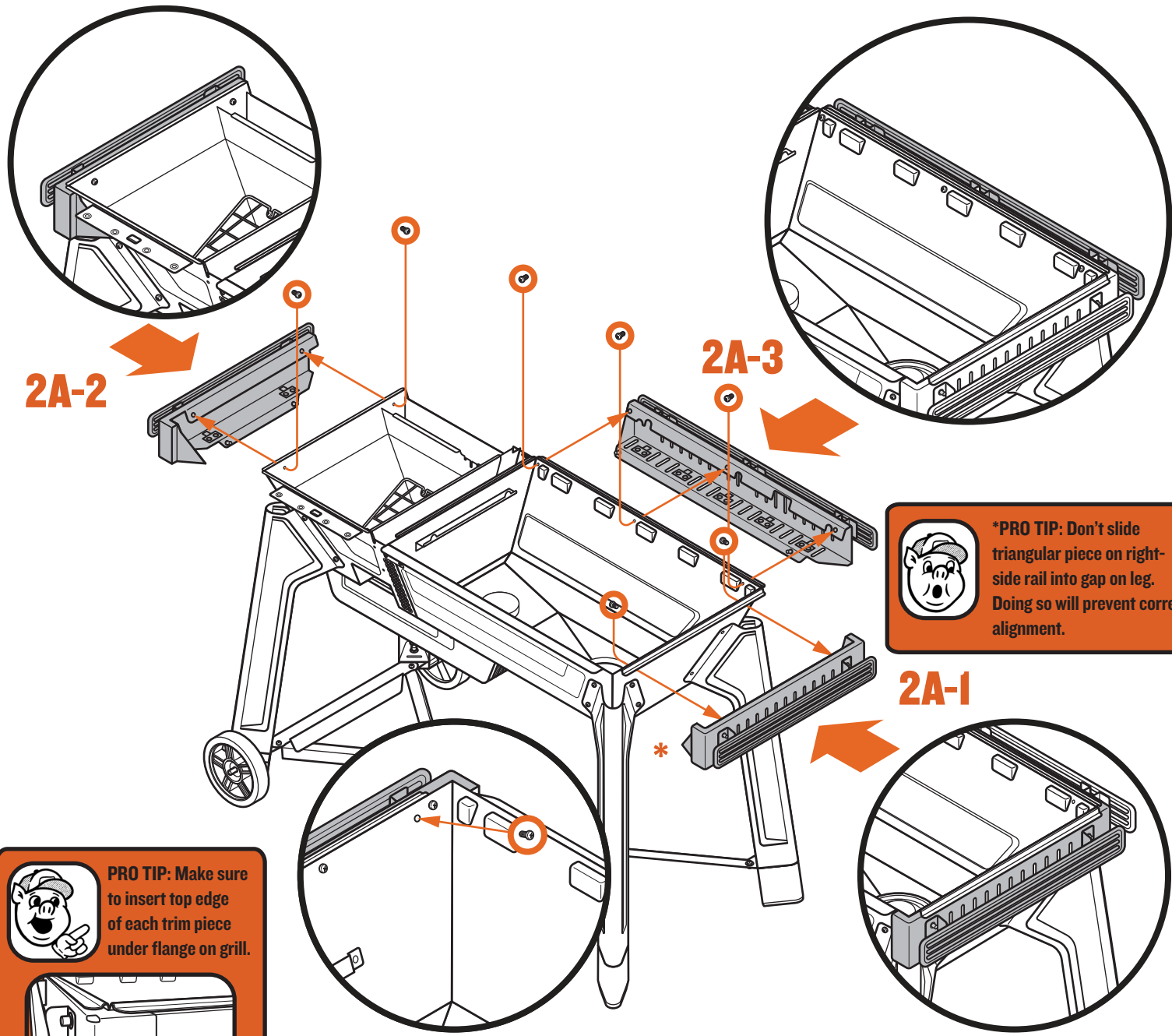
PRO TIP: This step can be tricky. Scan our QR code to access video animations for assembly. Jump to Chapter 3, Step 2 for a video.




PRO TIP: To prevent hardware from falling into the auger box, lay this manual on top of the grate.

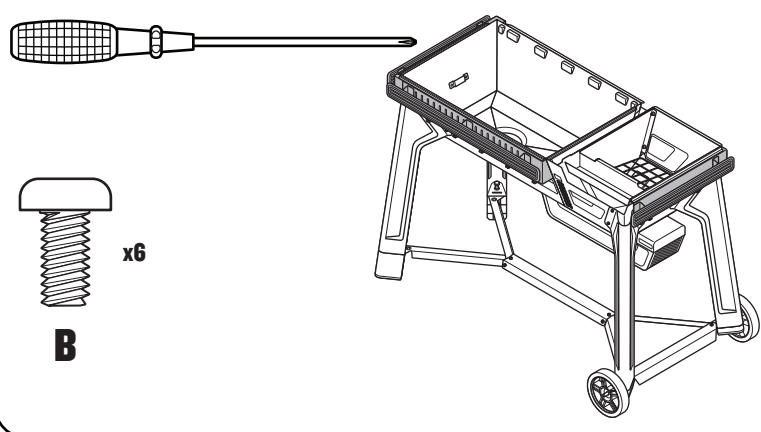


2A ATTACH P.A.L. TRIM

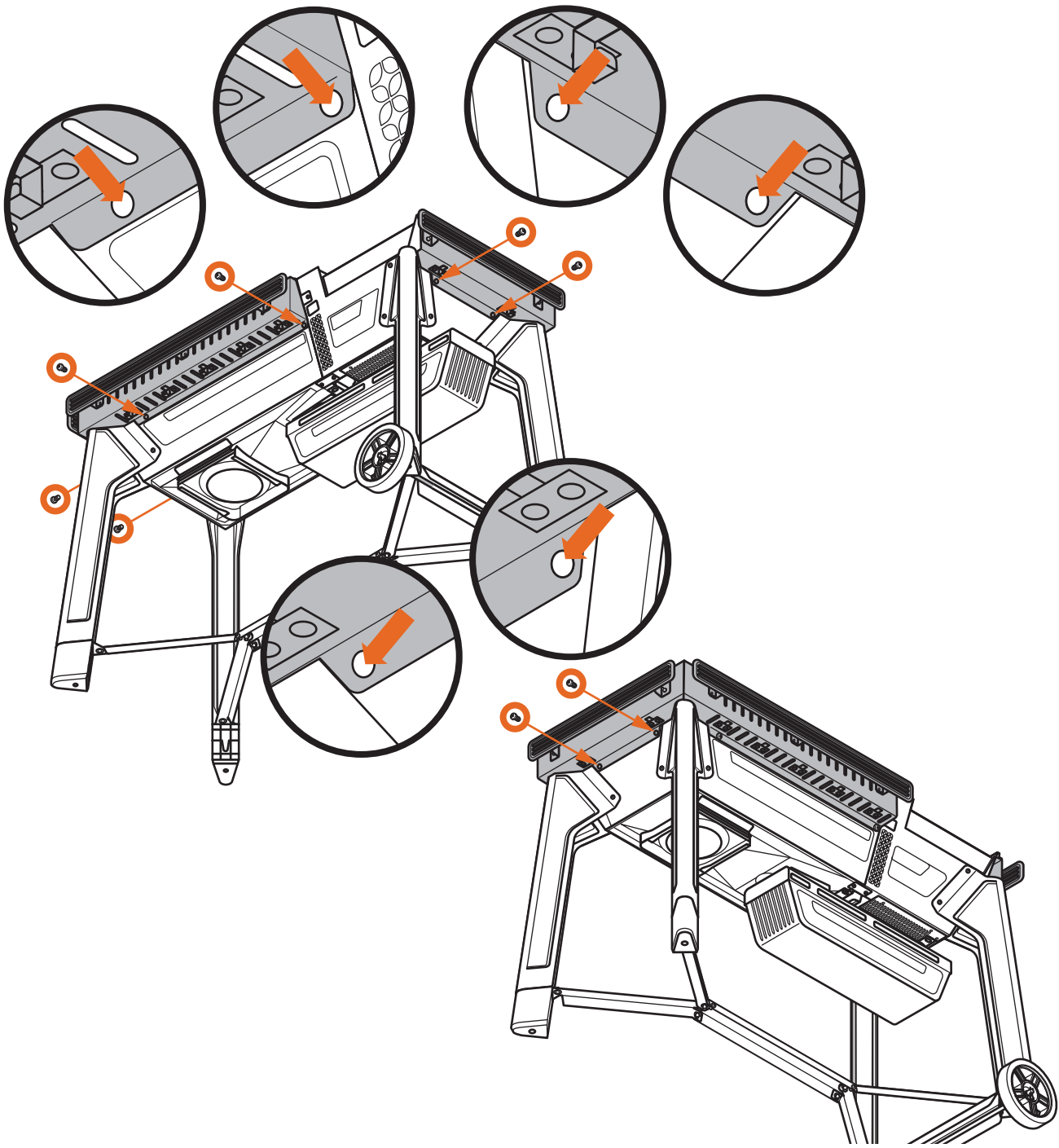






2B SECURE P.A.L. TRIM



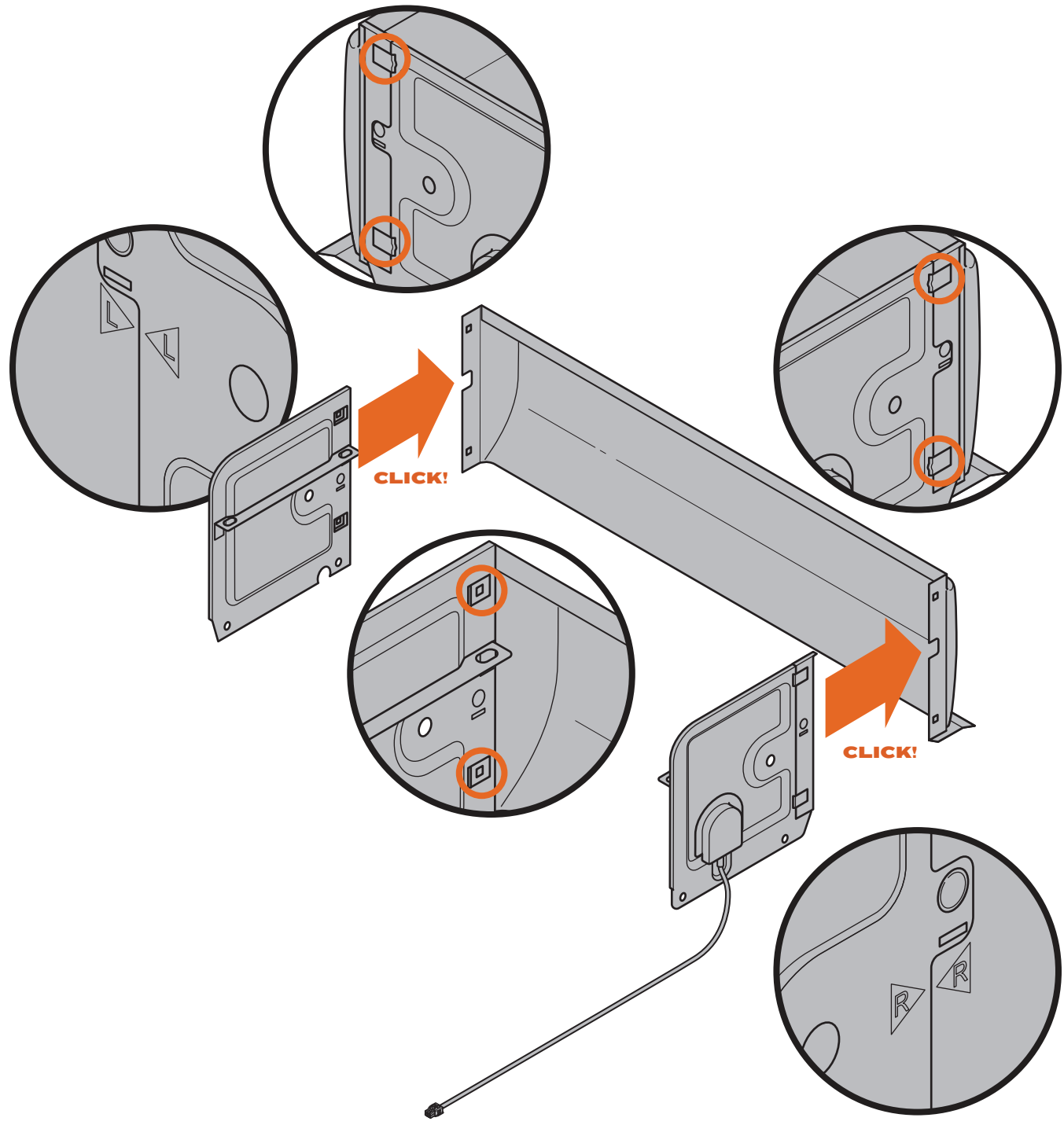
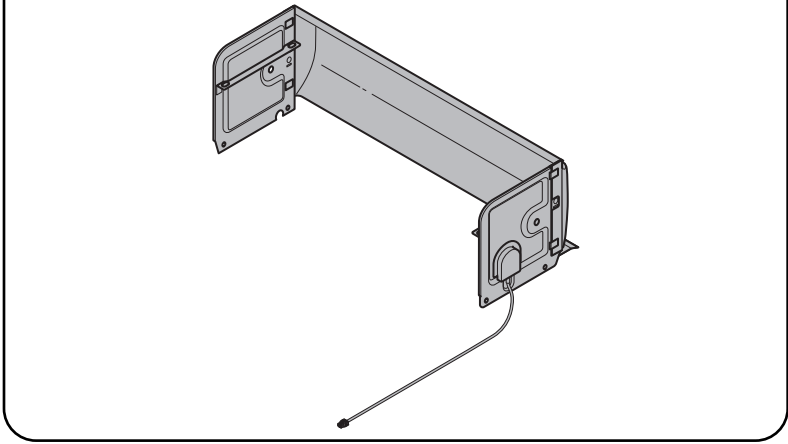
B x6





 **PRO TIP:** This step requires no hardware.

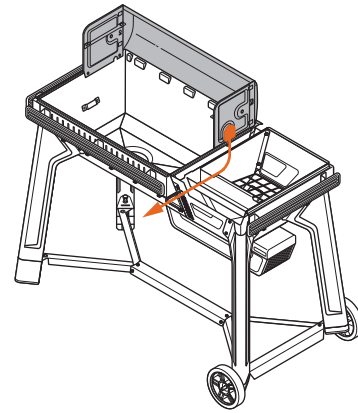
3 ASSEMBLE BACKSPLASH



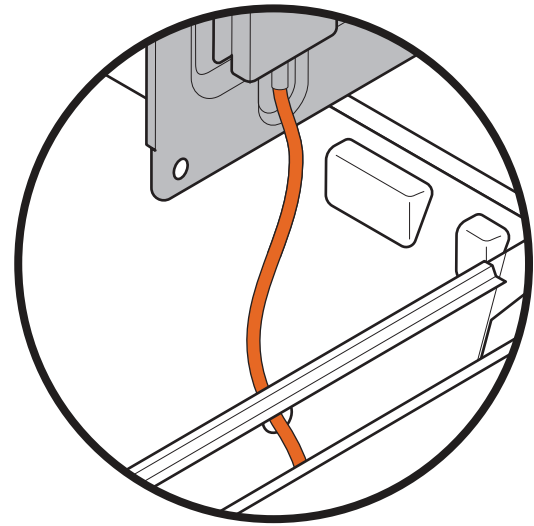
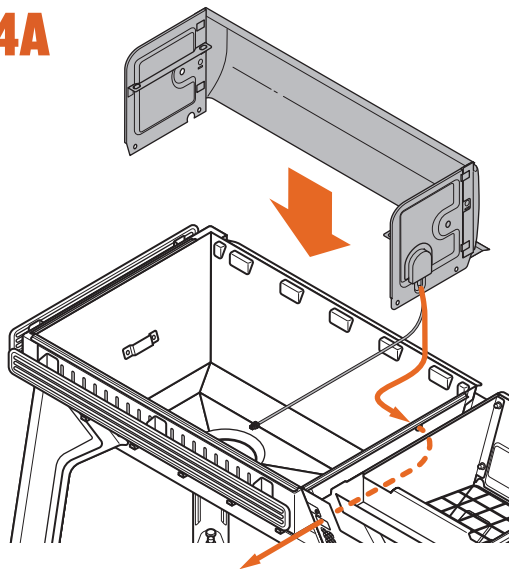


PRO TIP: Don't pinch the wire between the backsplash and the grill body! Also, slide the wire through the openings carefully to prevent damage!

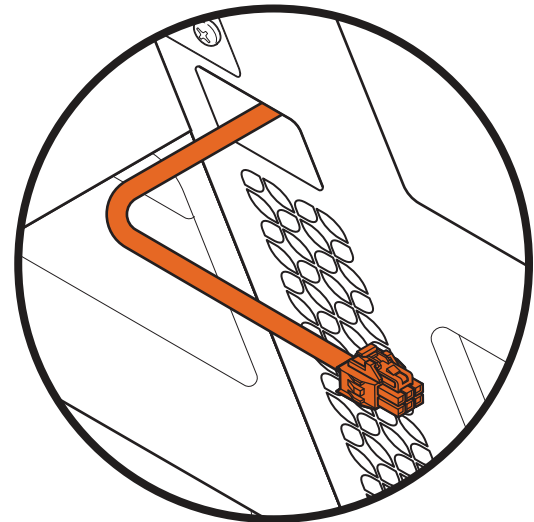
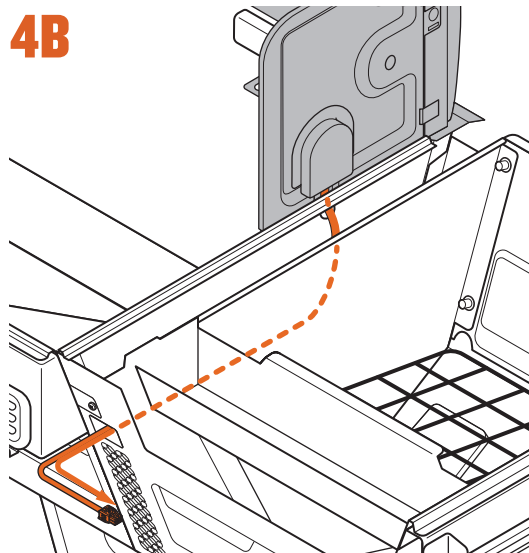
4 ROUTE BACKSPASH WIRING



4A

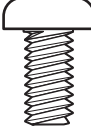
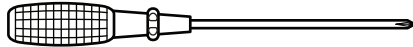


4B

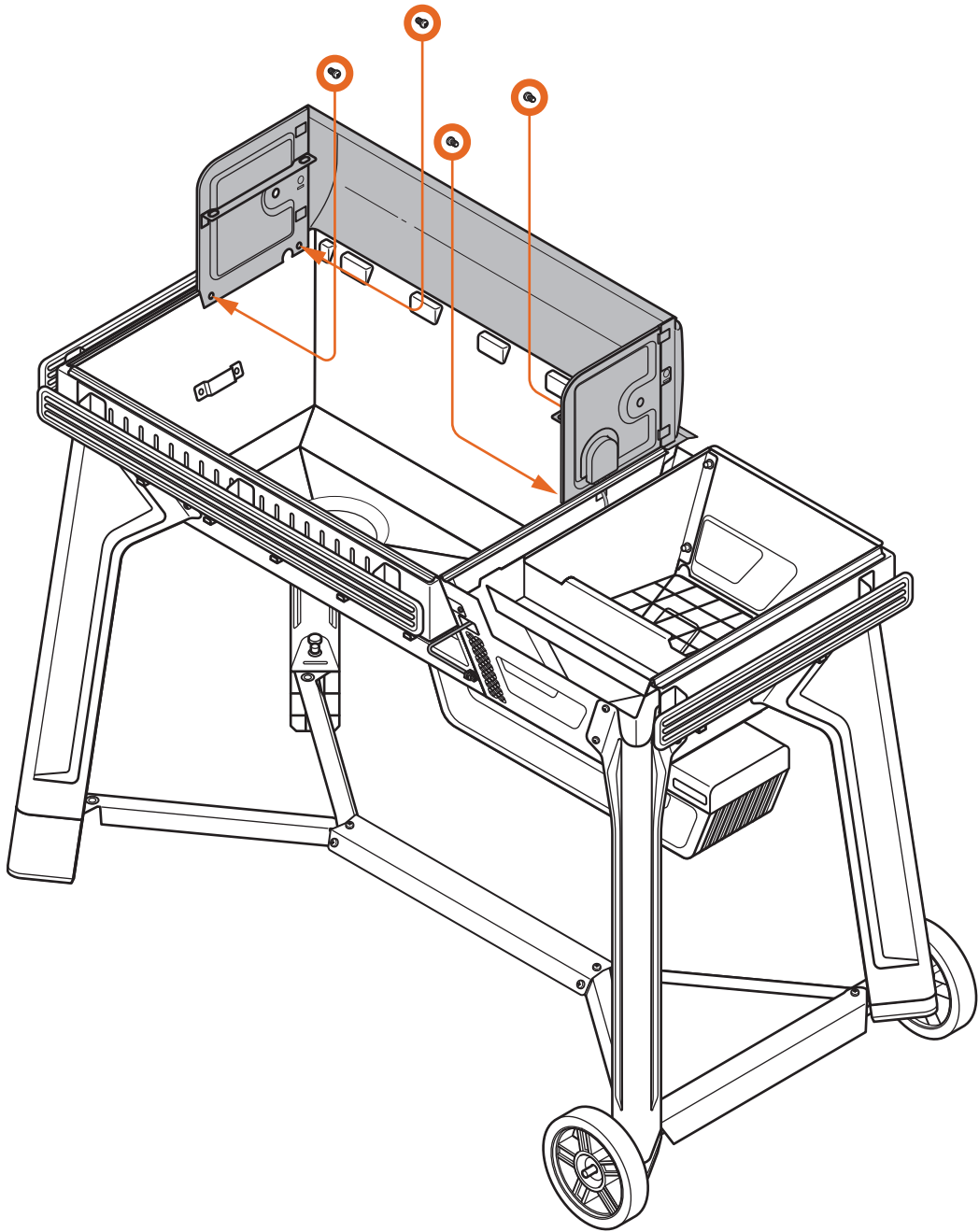
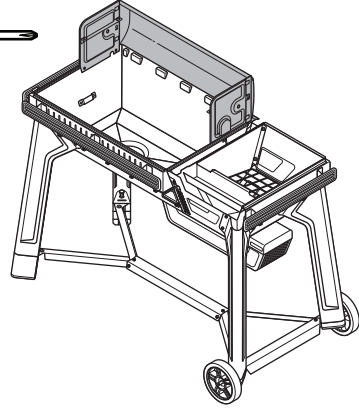




5 ATTACH BACKSPLASH

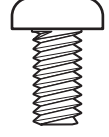
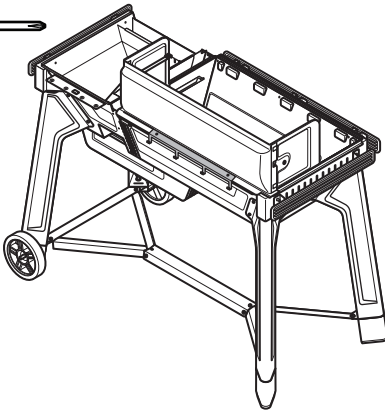
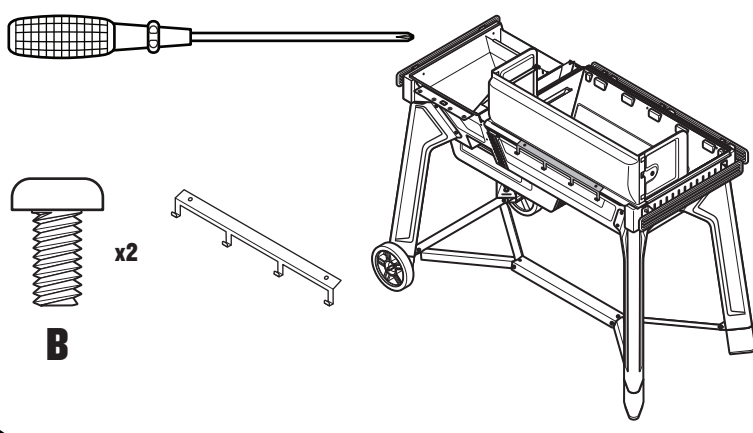


B x4

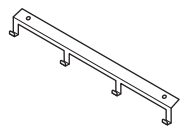




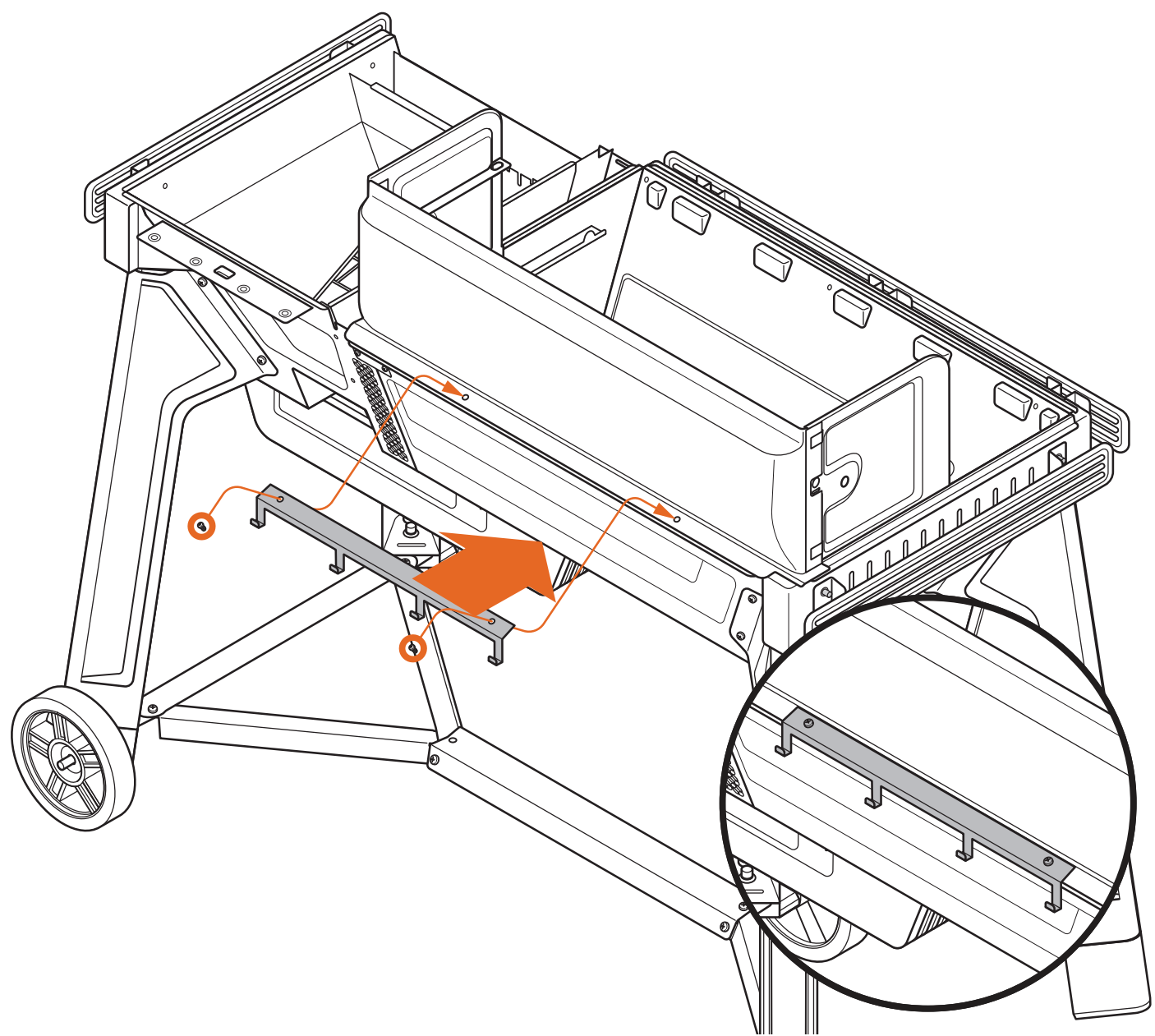
6 INSTALL REAR HOOKS



x2

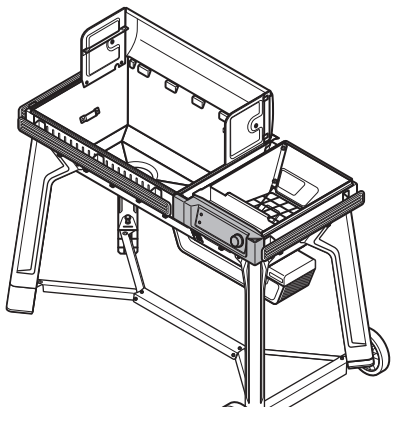
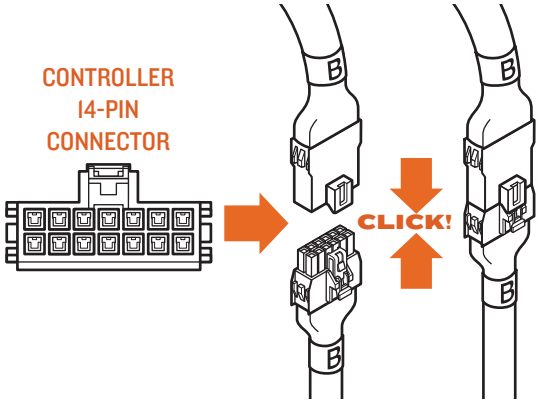


B

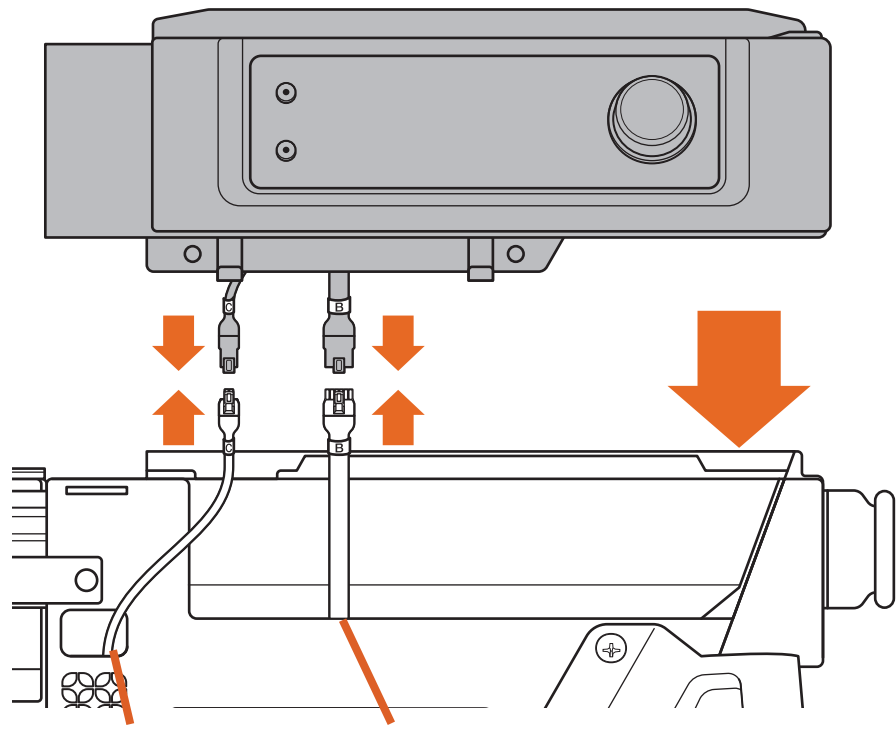
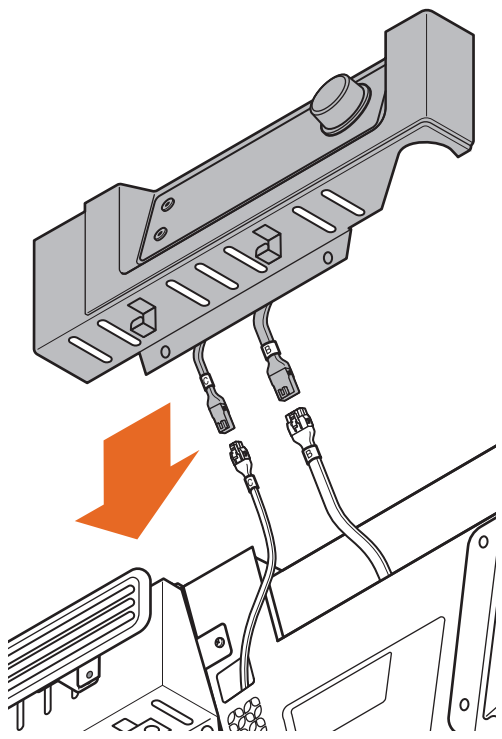




7 CONNECT CONTROLLER



 **PRO TIP:** For easier connecting, lay the controller on its back on the edge of the hopper.

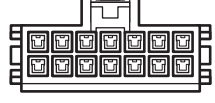


 **PRO TIP:** After connecting, tuck wires back into grill to prevent pinching them.

TEMPERATURE SENSOR
4-PIN CONNECTOR




CONTROLLER
14-PIN CONNECTOR

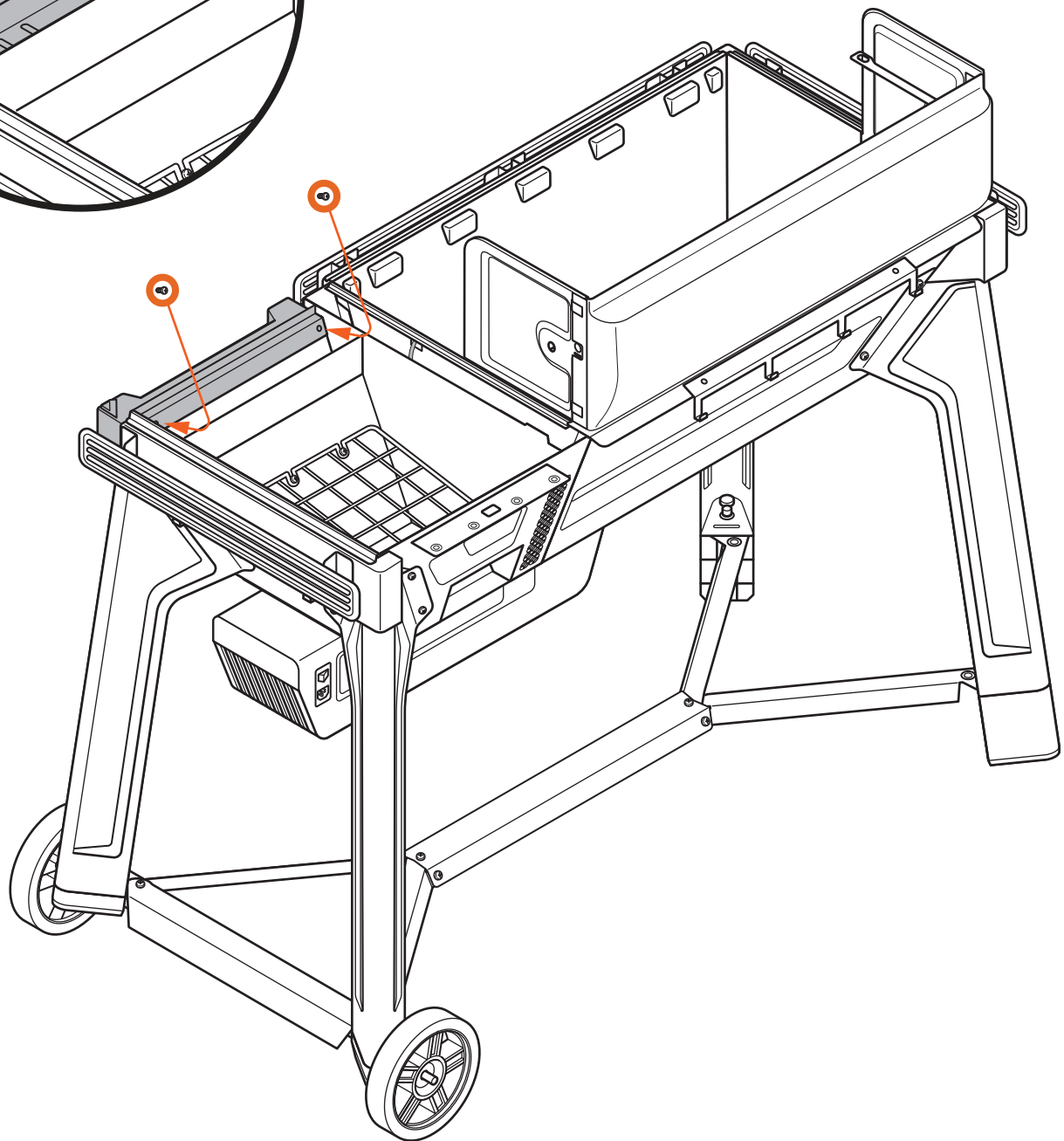
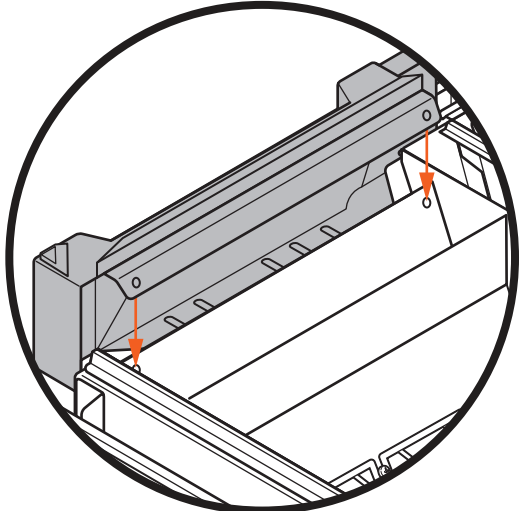
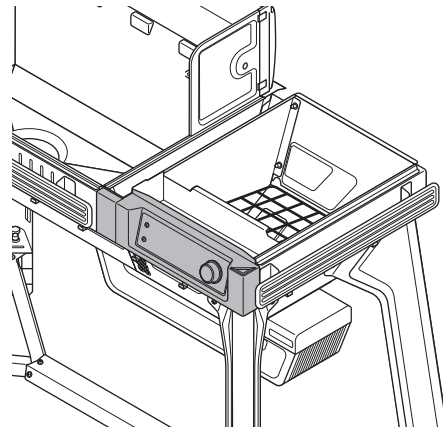
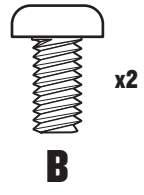


 **PRO TIP:** To more easily connect connector B, cut the zip tie holding it to the grill.



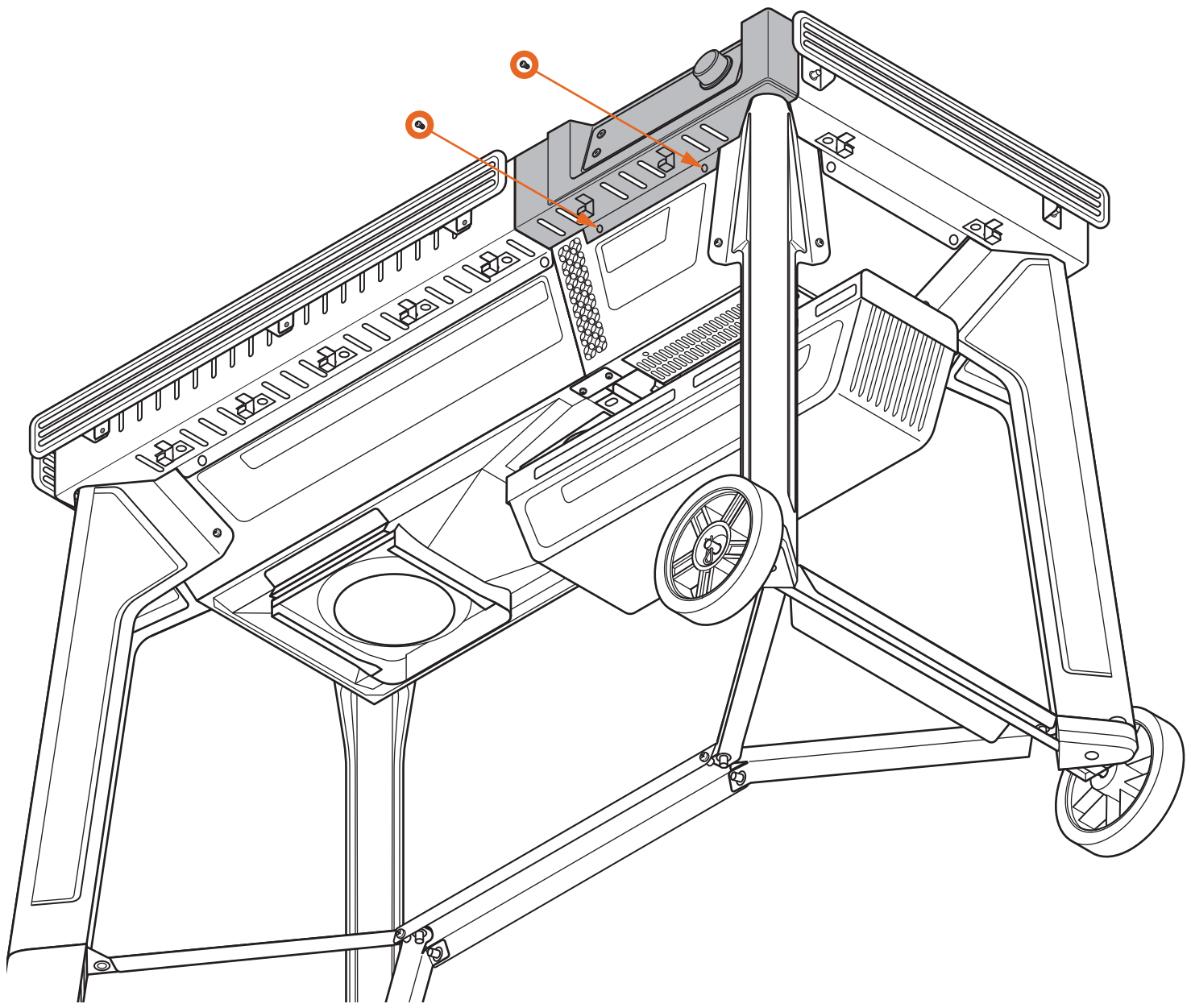
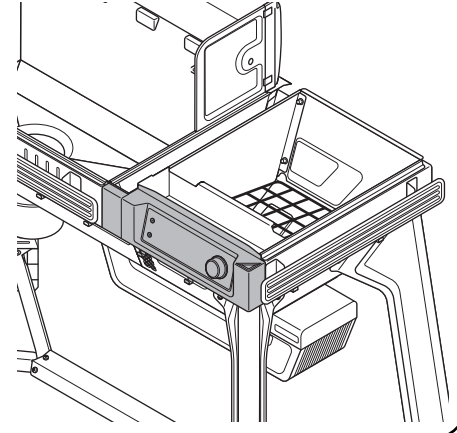
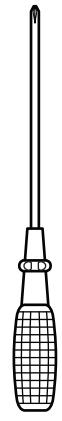
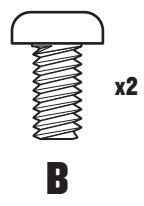
 **PRO TIP:** Install controller over flange in hopper.

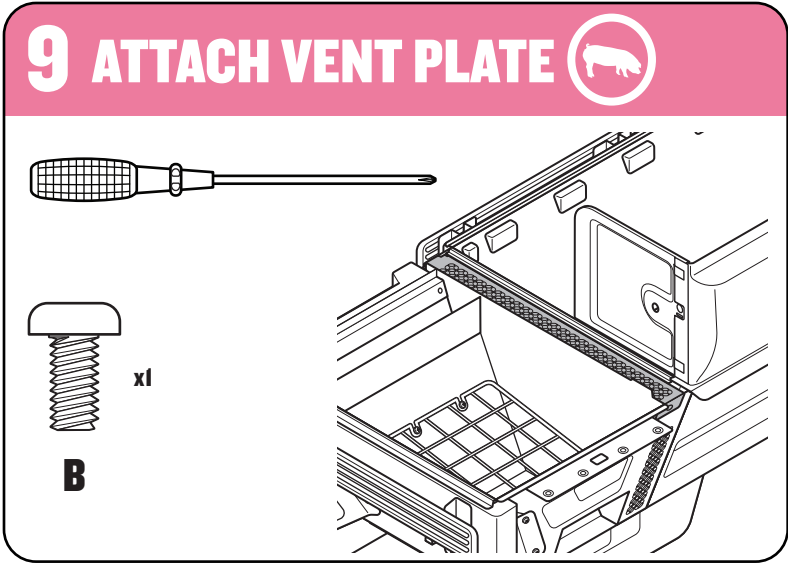
8A ATTACH CONTROLLER



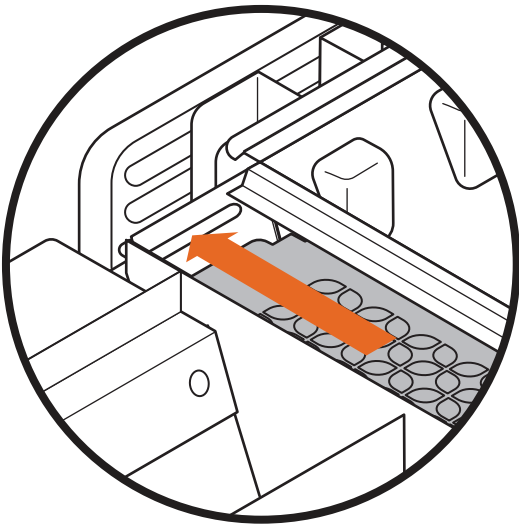


8B ATTACH CONTROLLER

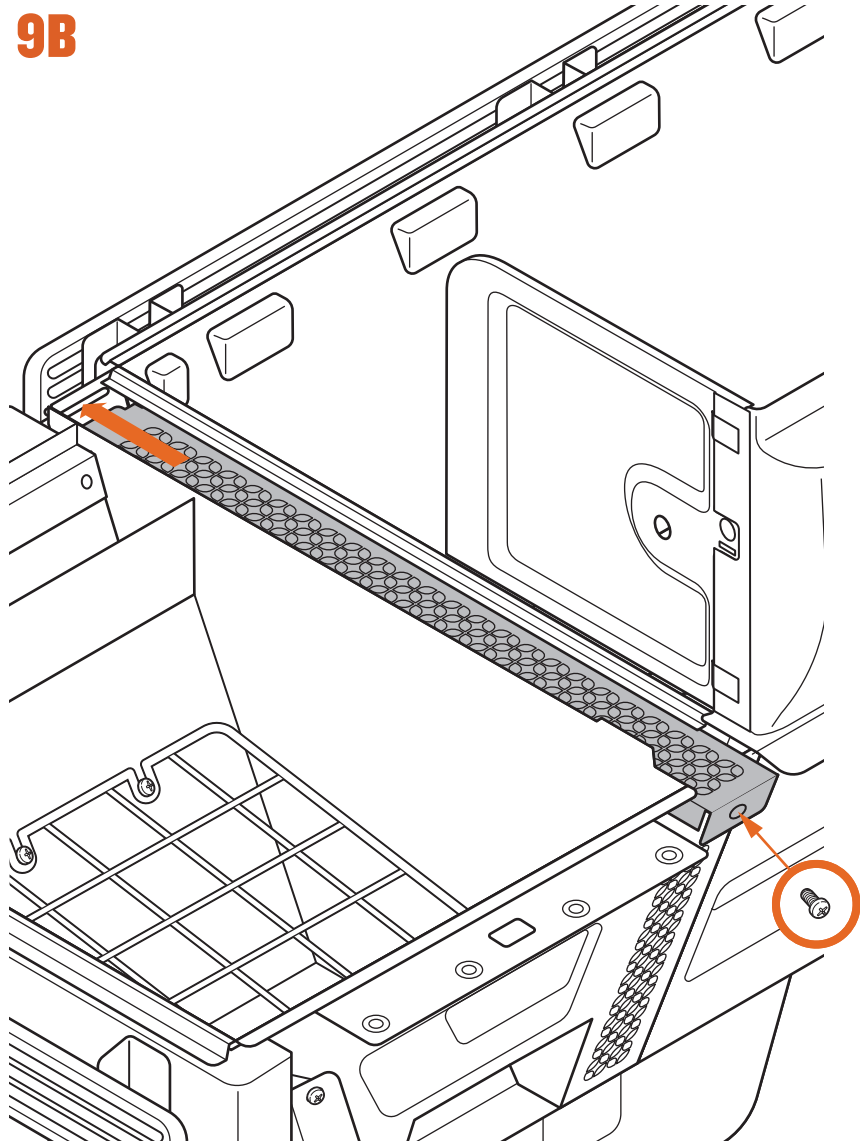




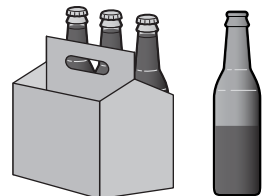
9A



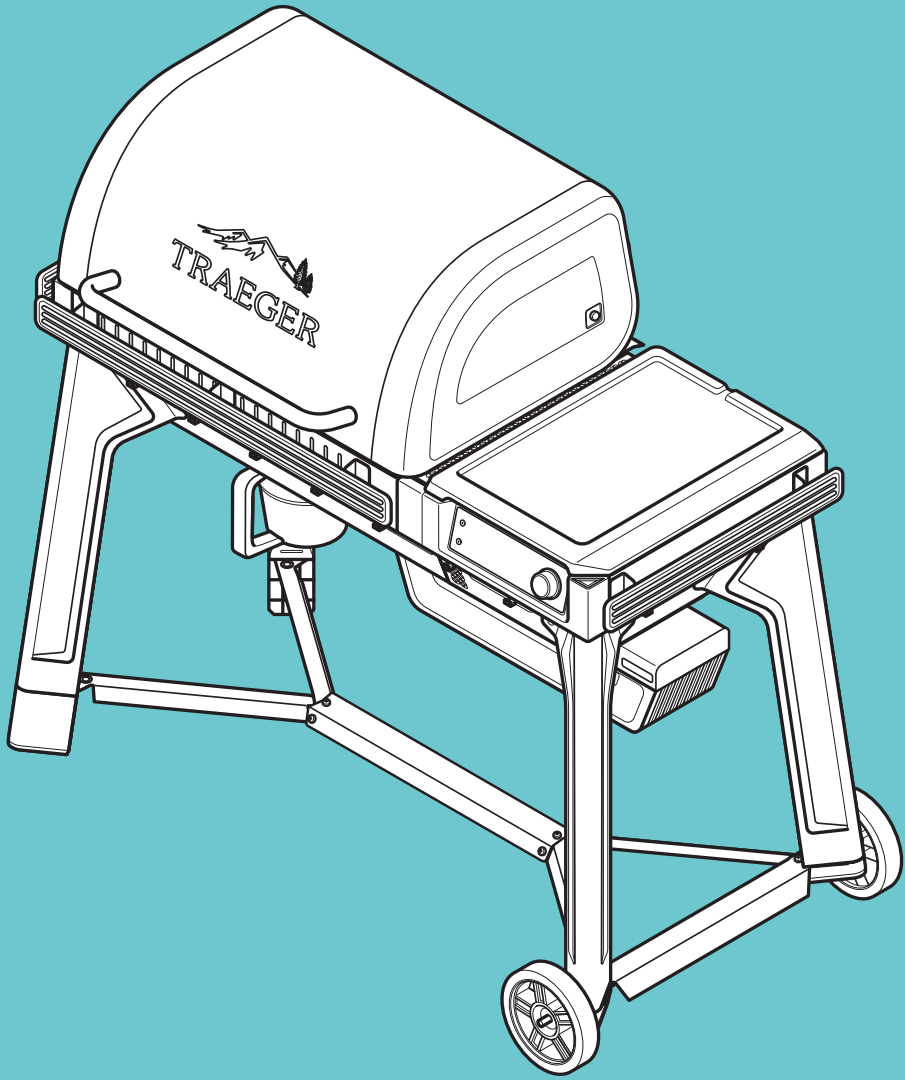
9B



NICE WORK!
CHAPTER 3 COMPLETE!

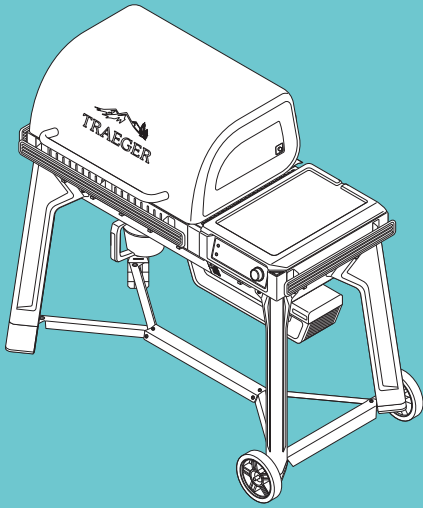


CHAPTER 4

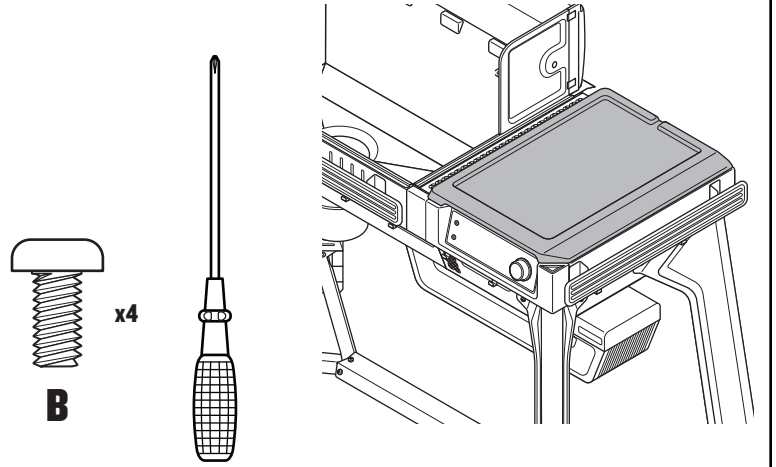


LID & GRILL INTERNALS

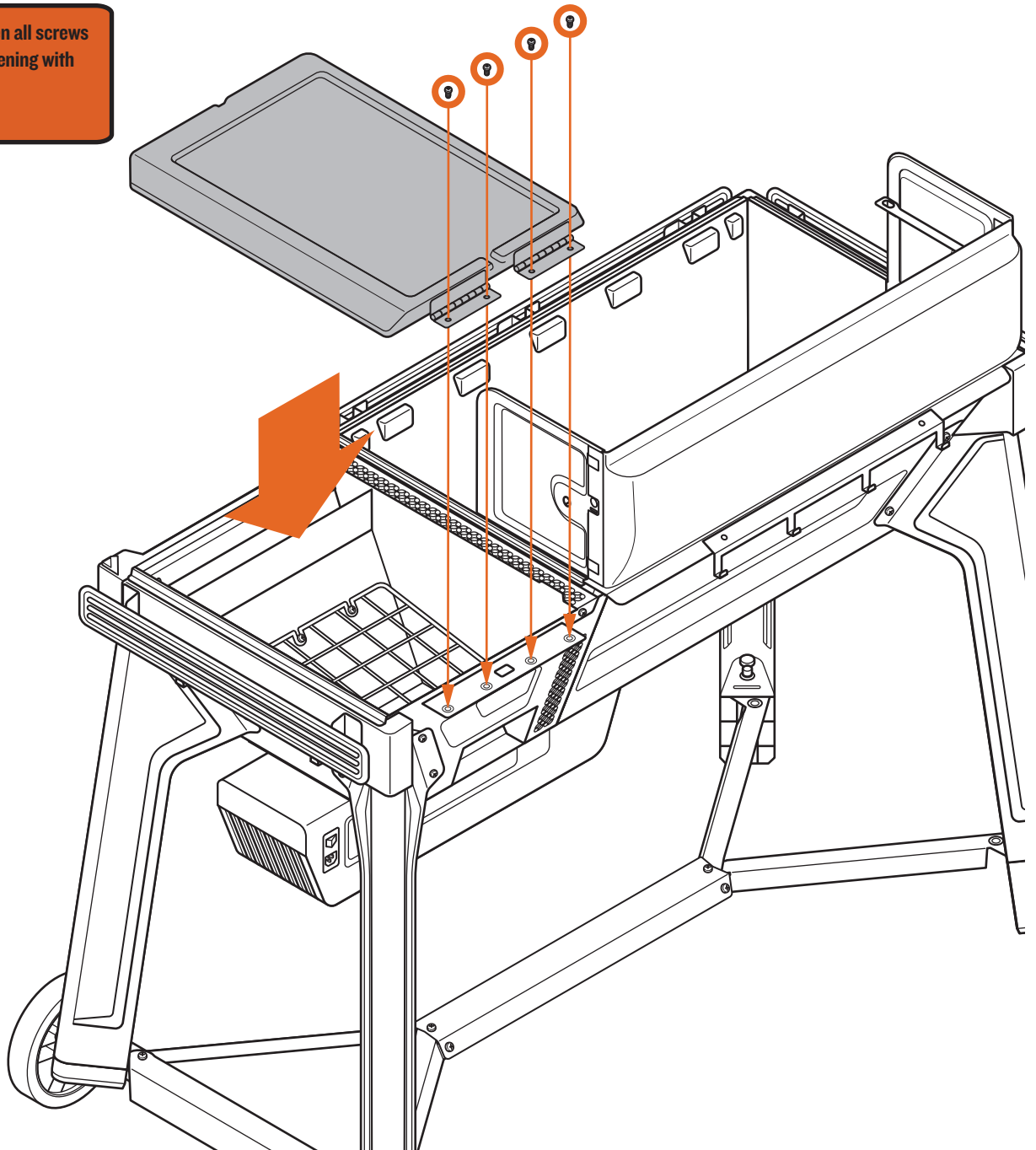
CHAPTER 4



1 ATTACH HOPPER LID

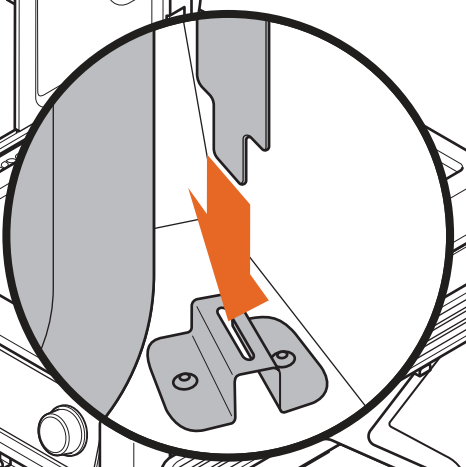
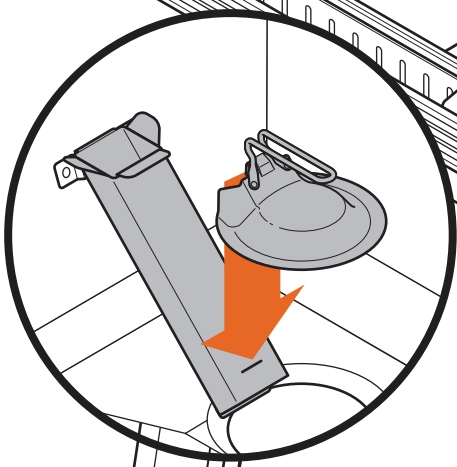
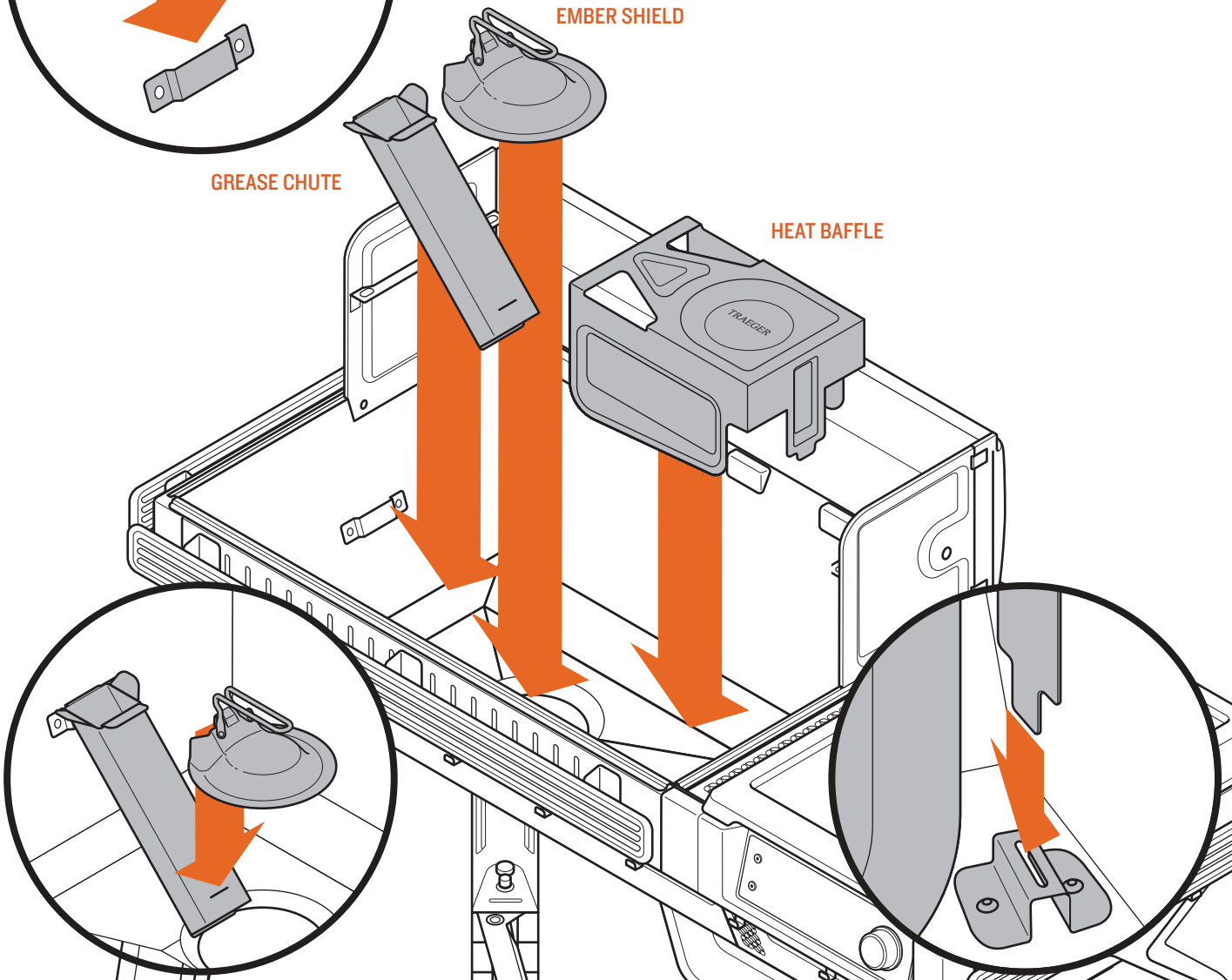
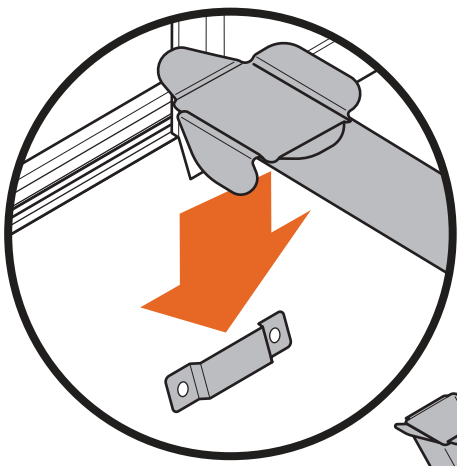
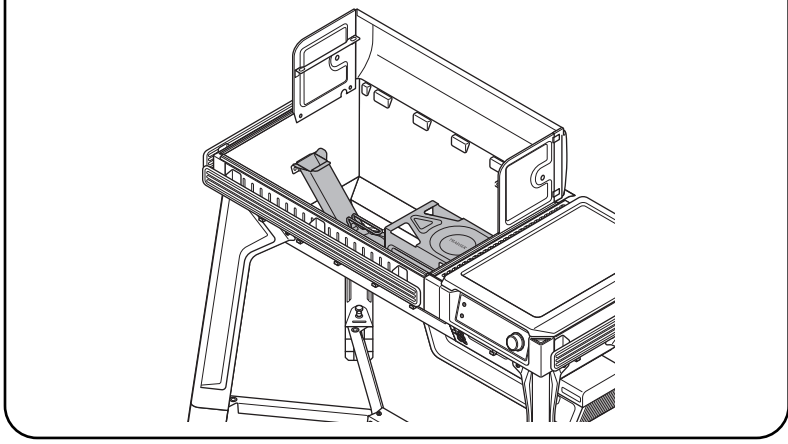
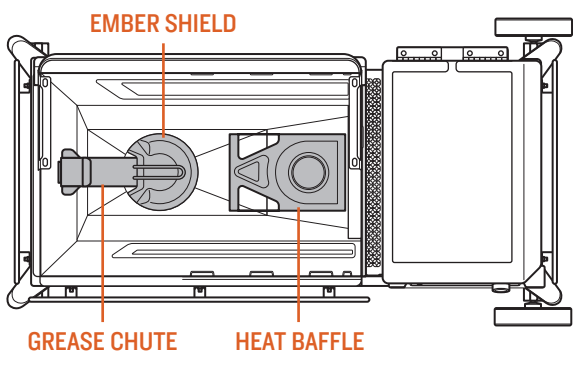


PRO TIP: Hand-tighten all screws first, then finish tightening with screwdriver.



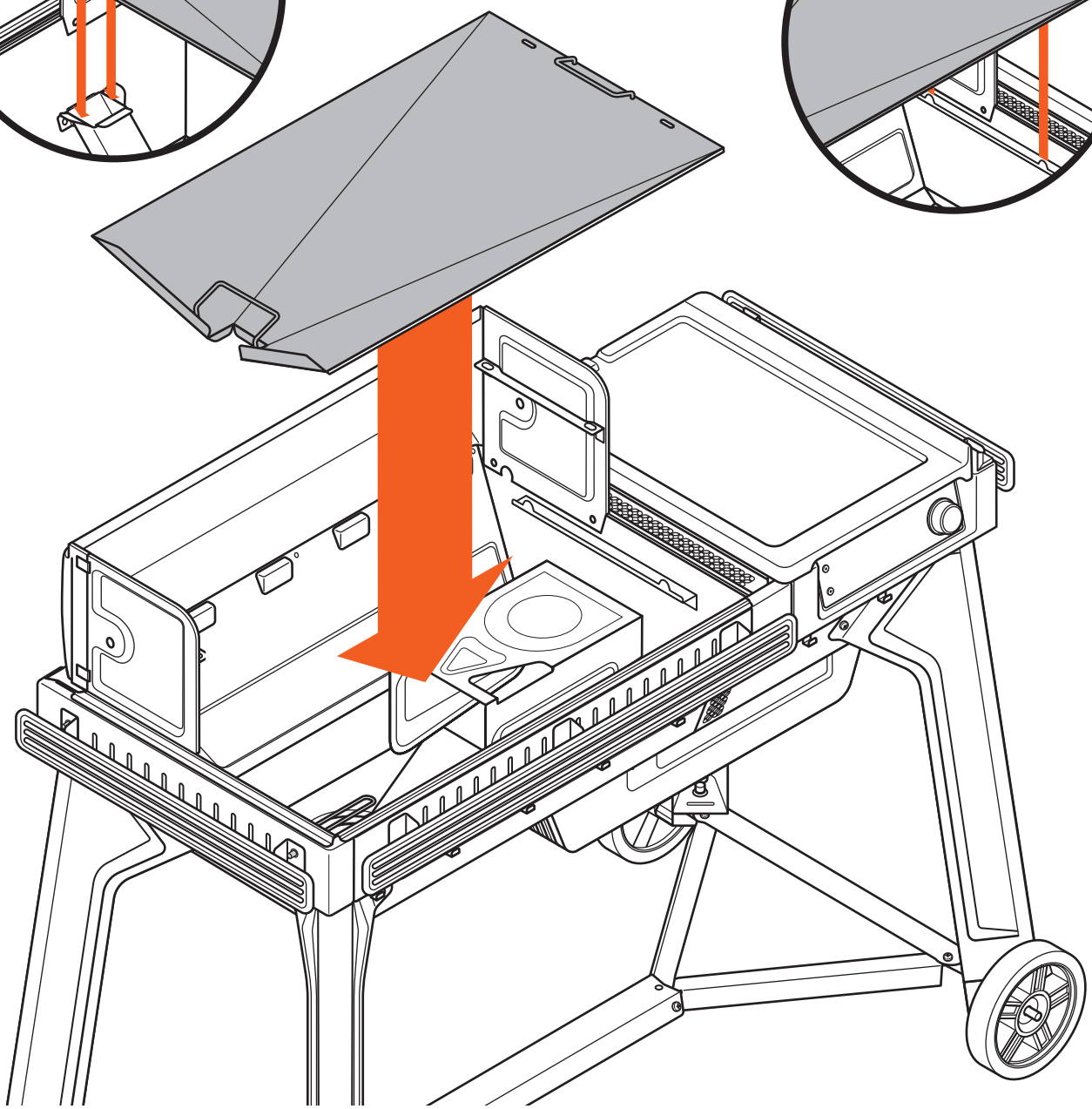
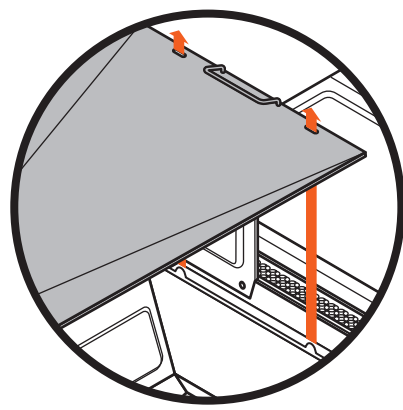
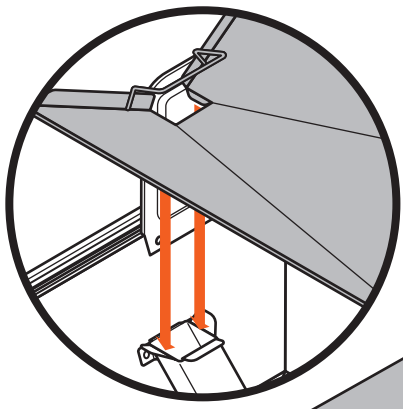
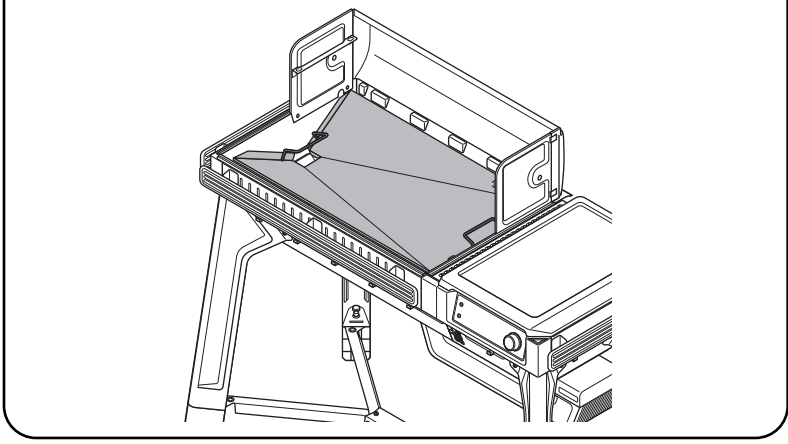


2A INSTALL CHUTE, SHIELD, AND BAFFLE



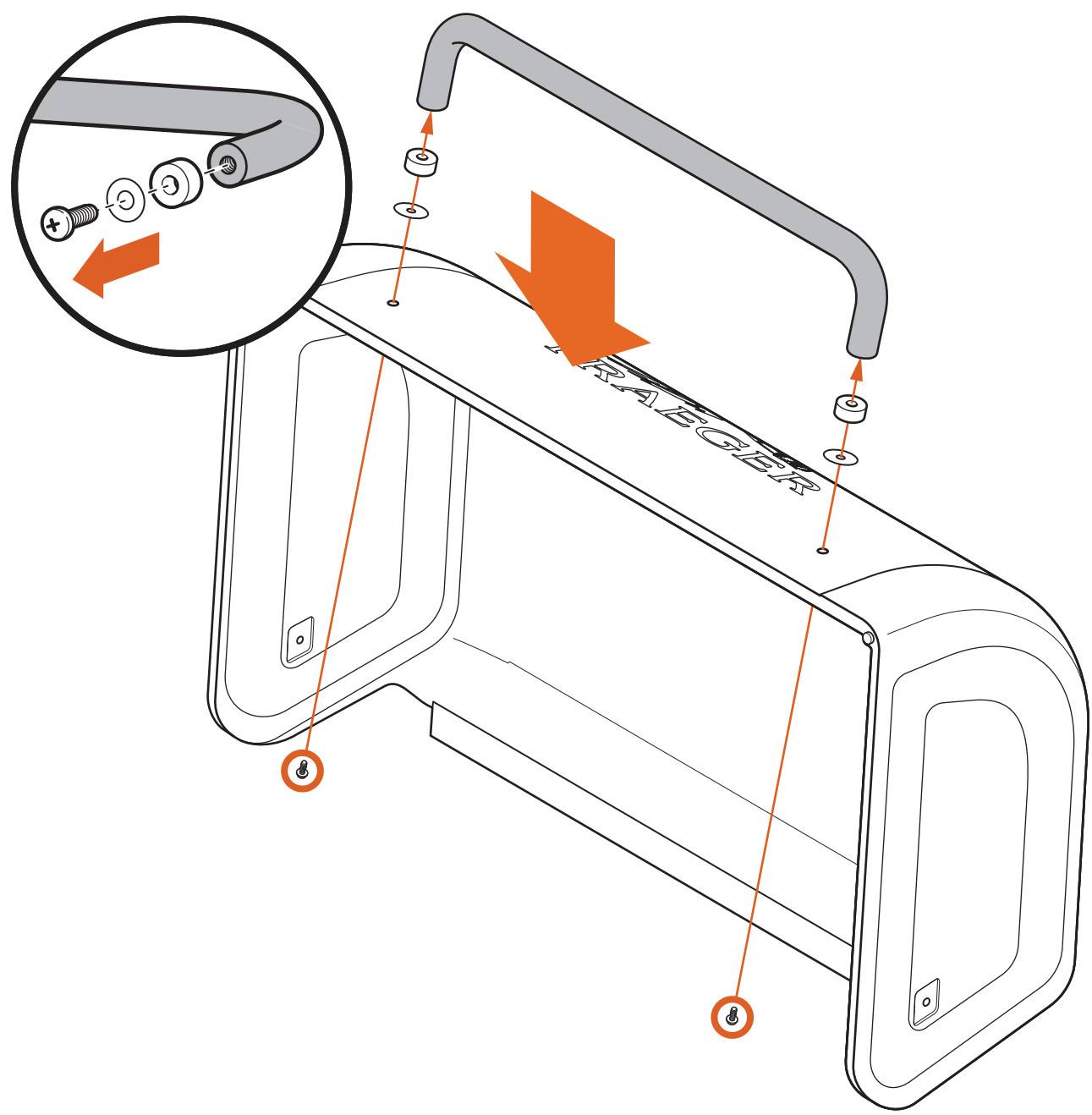
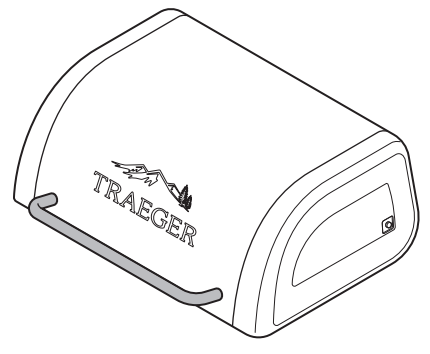
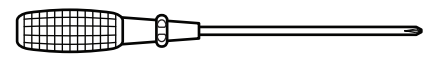



2B INSTALL DRIP TRAY





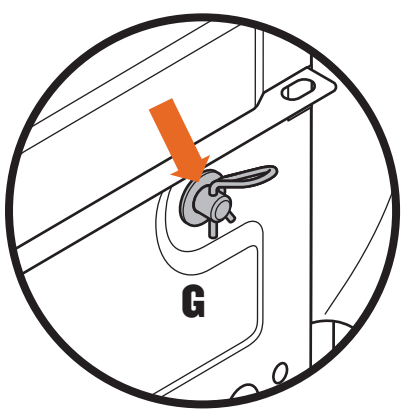
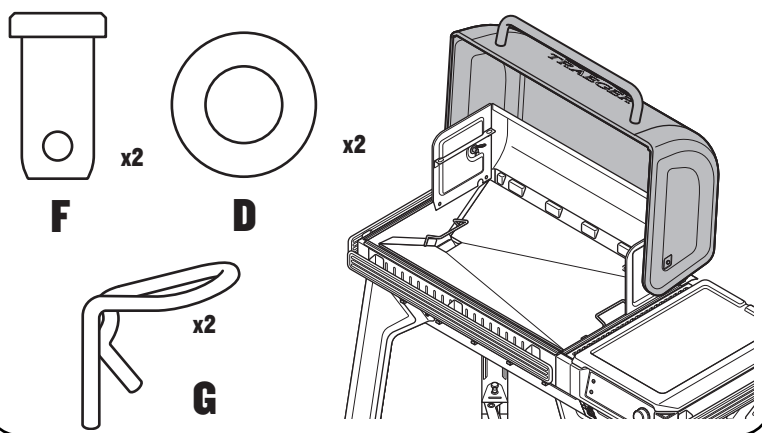

3A ATTACH LID HANDLE



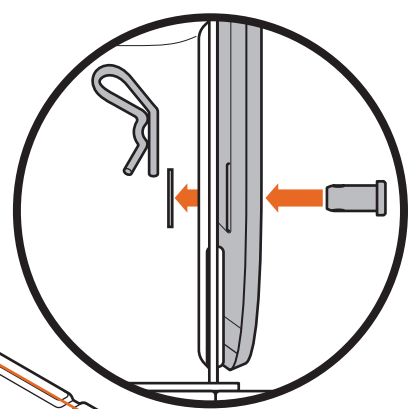
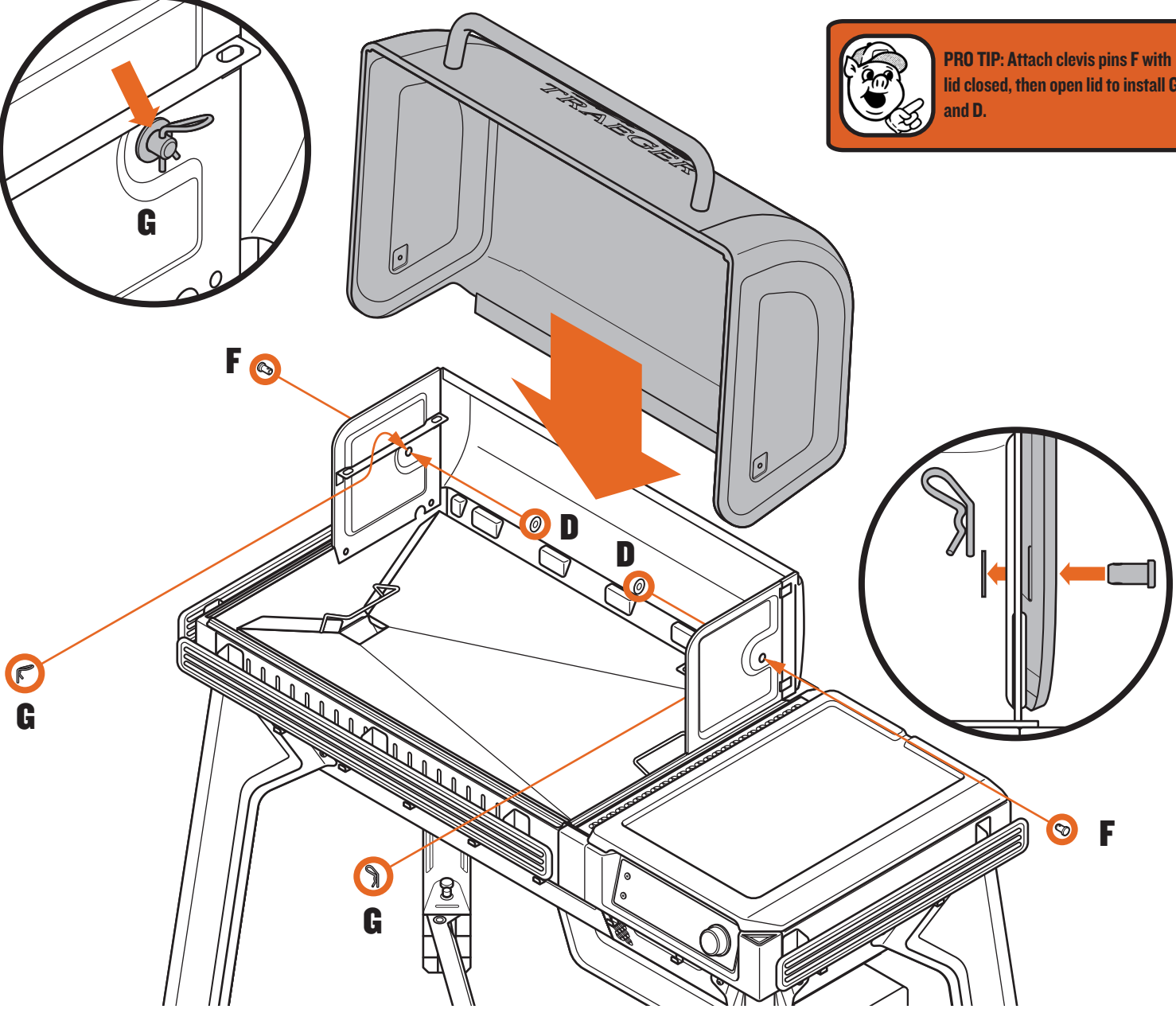



PRO TIP: Use two people to attach the lid.

3B ATTACH LID

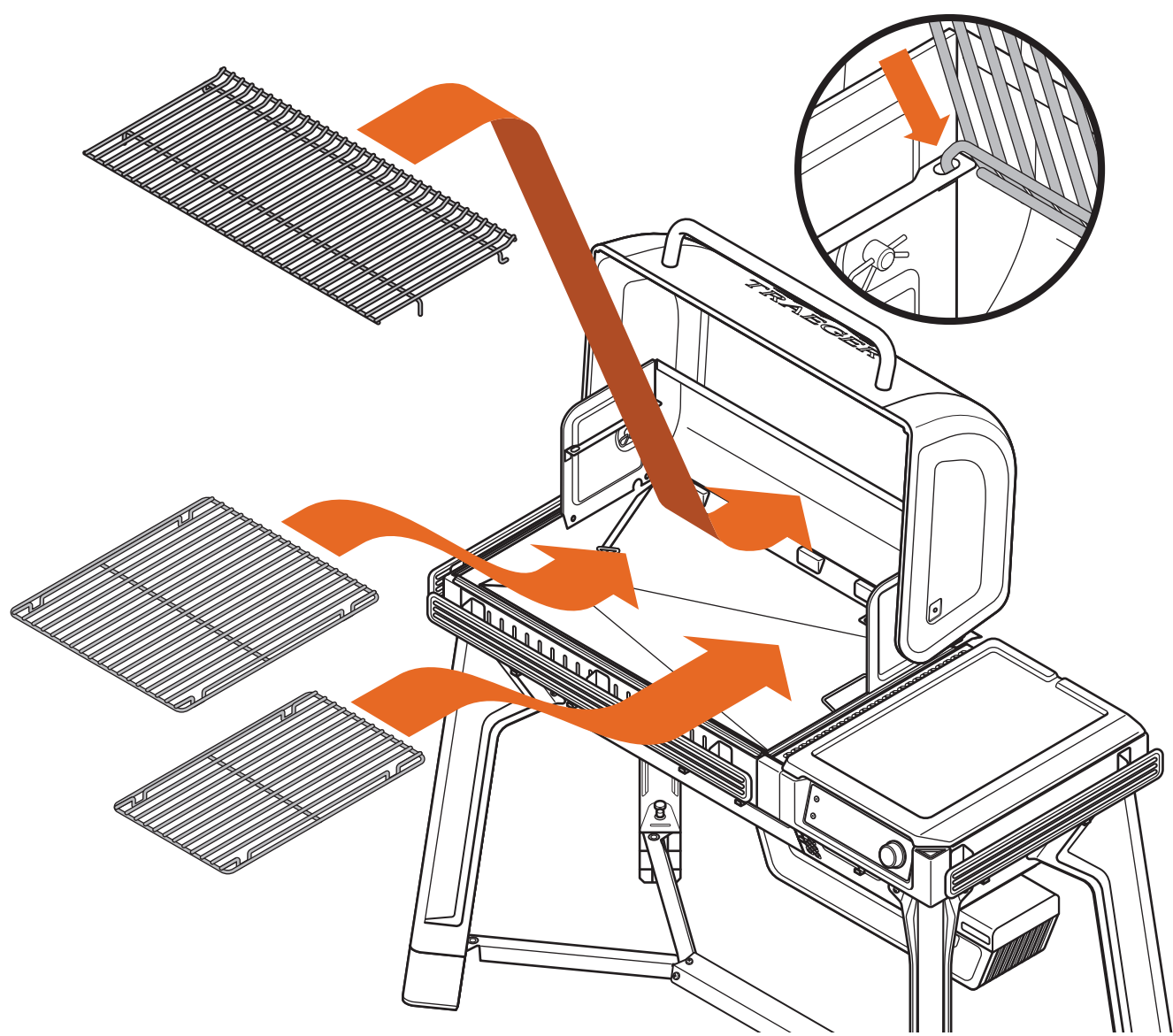
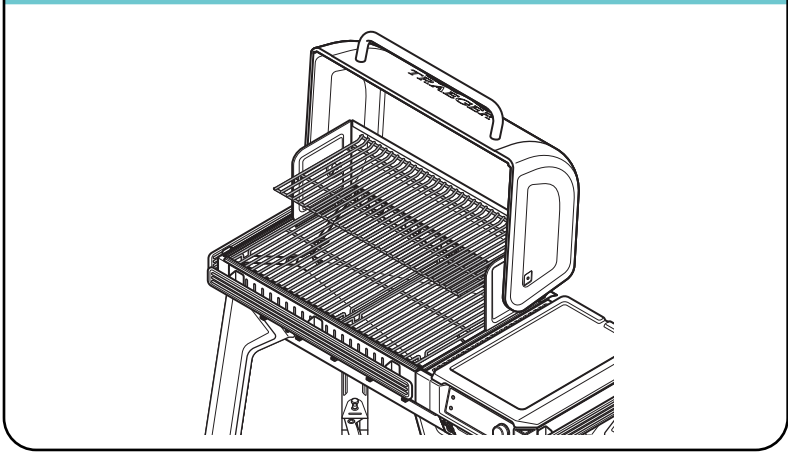



PRO TIP: Attach clevis pins F with lid closed, then open lid to install G and D.



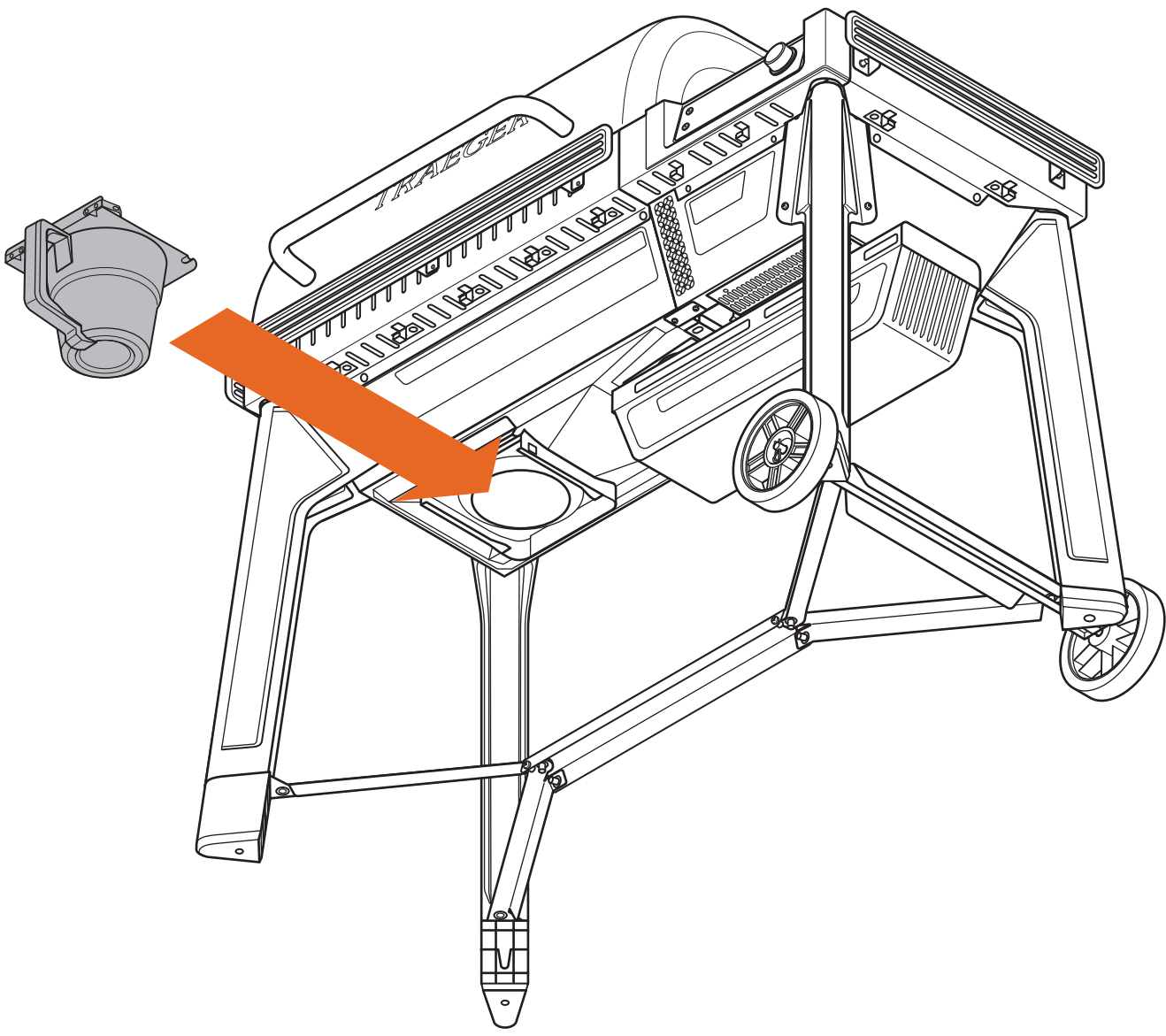
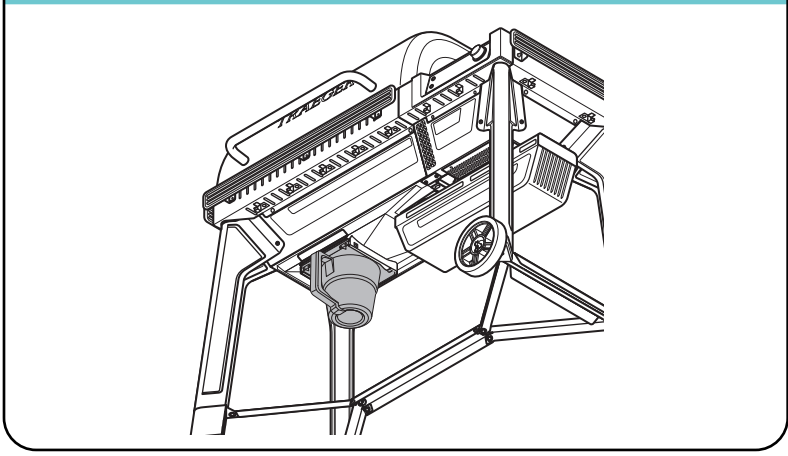


4 INSTALL GRATES



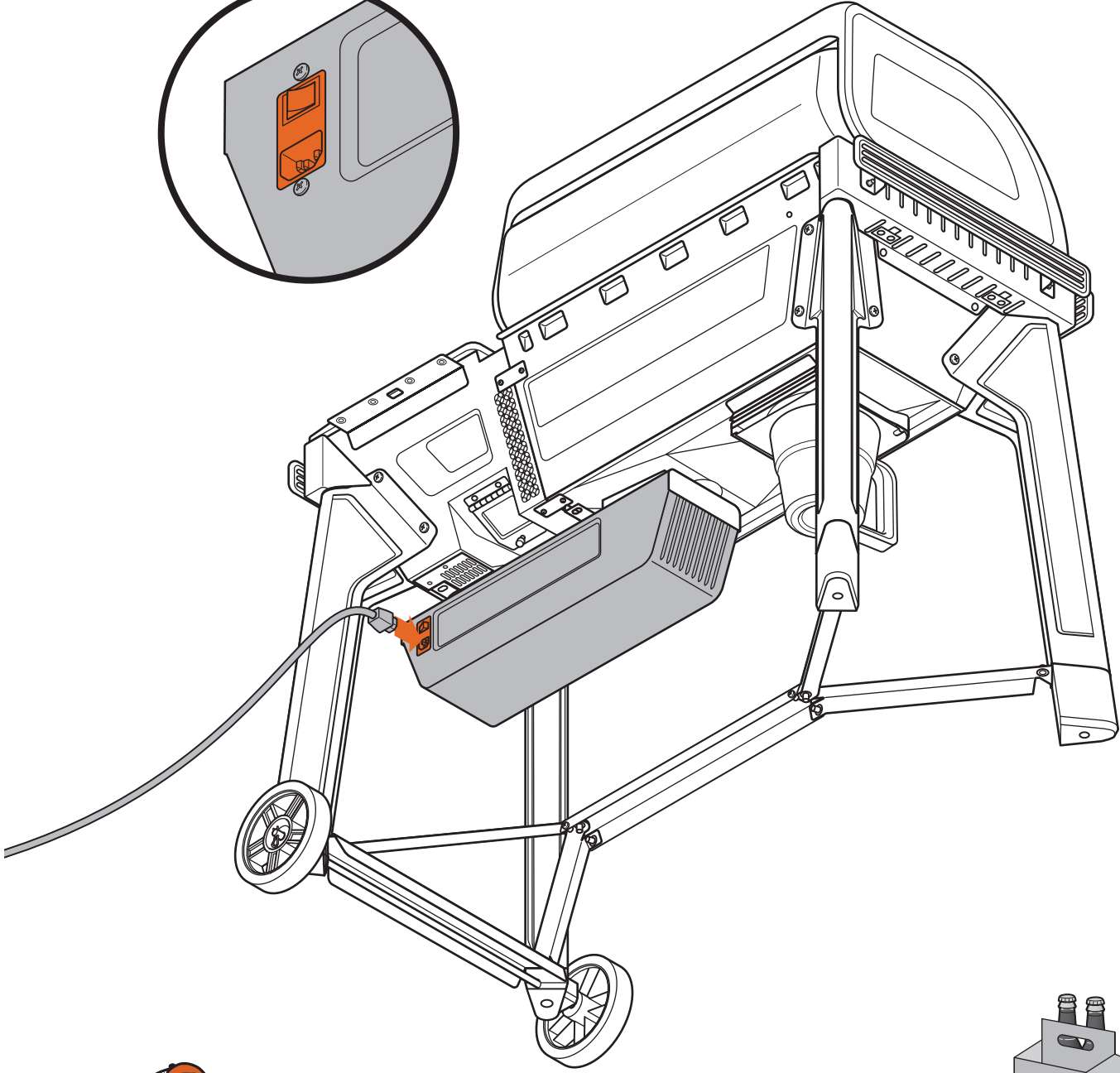
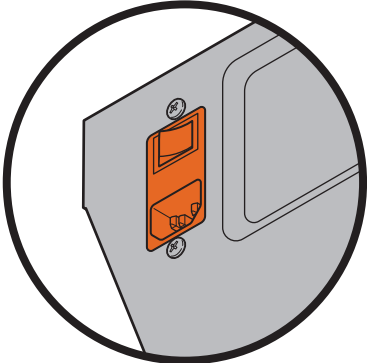
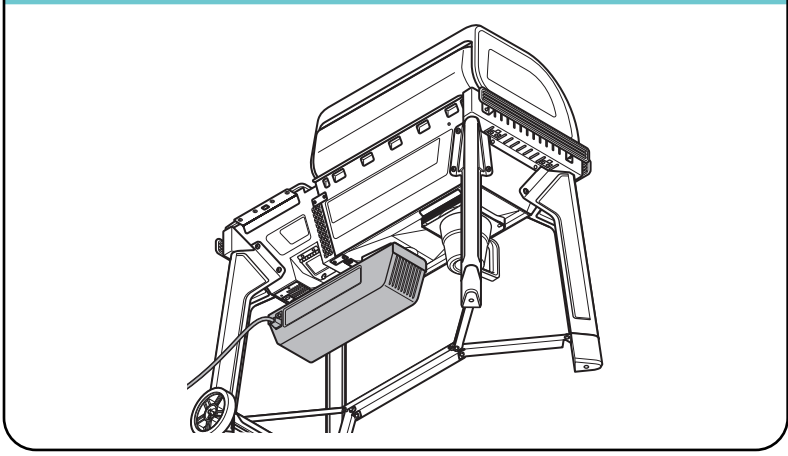


5 INSTALL GREASE & ASH KEG

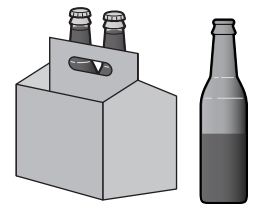




6 PLUG IN POWER CORD 

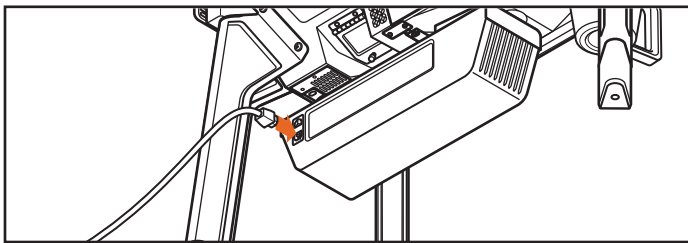
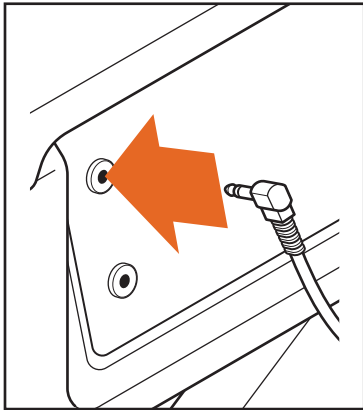


**NICE WORK!
CHAPTER 4 COMPLETE!**

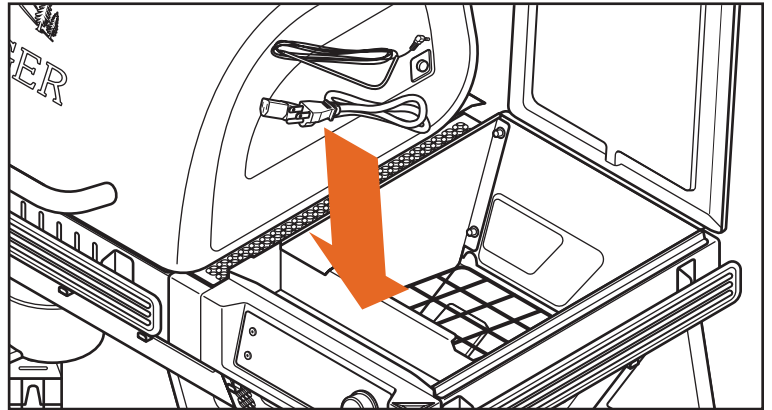


STORING PARTS AND ACCESSORIES

Wired Probe and Power Cord

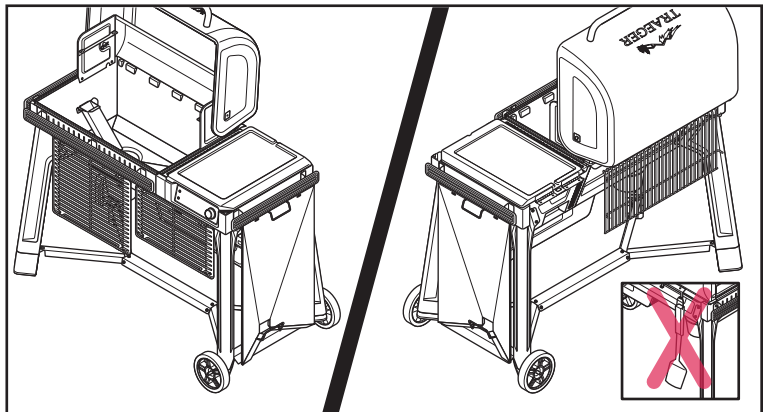
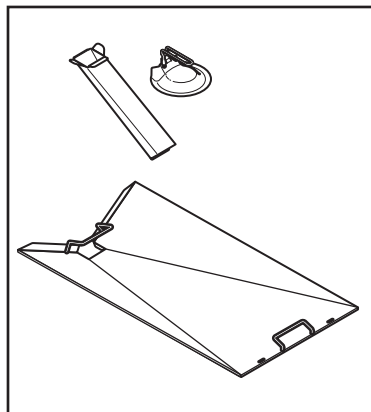
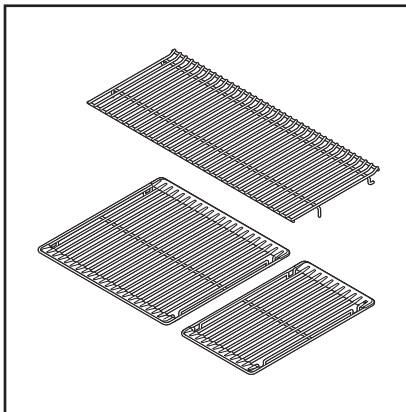


TO STORE:



Grill Grates, Drip Tray, Grease Chute, and Ember Shield

TO STORE DURING CLEANING:



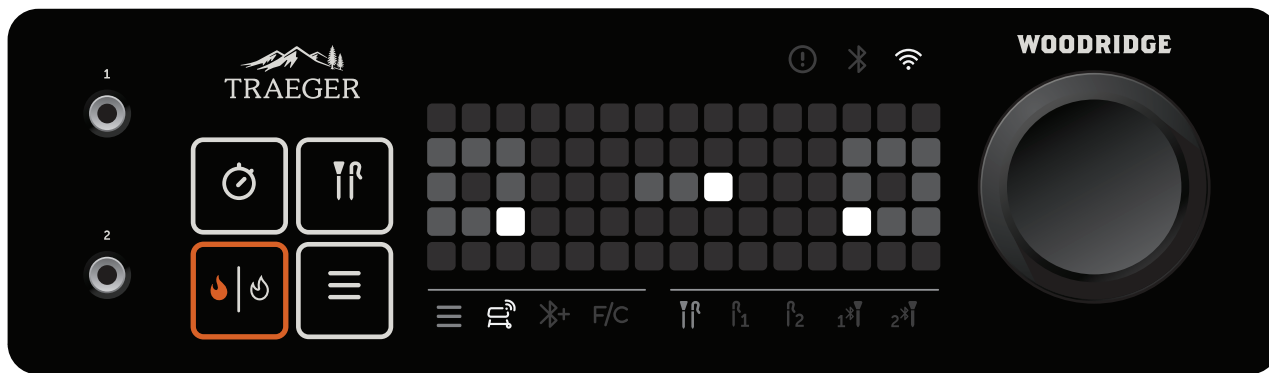
PRO TIP: Do not hang or store cooking utensils or power cord on grate hooks. Doing so could damage the utensils or power cord.

CONNECTING YOUR GRILL

Our dedication to delivering world-class products and experiences means we are constantly working to improve grill performance and features. We highly recommend connecting your Traeger Woodridge Grill to WiFIRE by following the instructions below. When your grill is connected and on, updates will automatically download, ensuring your grill is always operating at peak performance.

IMPORTANT:

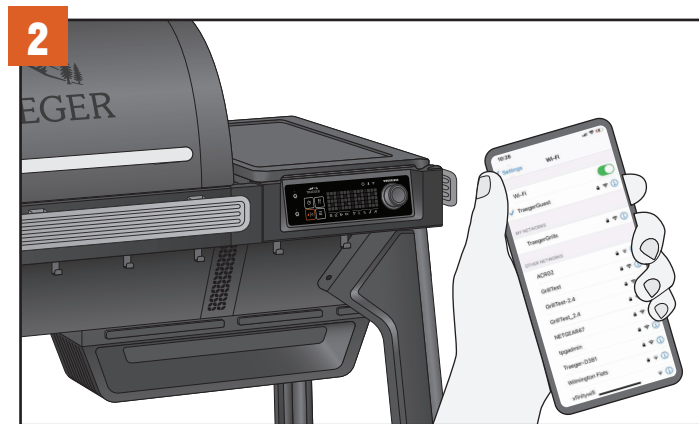
- Make sure your smart device is running on the latest operating system and that Bluetooth is turned ON.
- If using an Android device, turn on location services.
- To connect your grill to your home Wi-Fi, your grill must be powered on. Make sure the main power switch is pressed to ON (I) and lit up.
- Your home Wi-Fi router signal must be 2.4 GHz (a dual band router should also work). The 2.4 GHz band is currently industry standard for connected appliances. It has better range and penetrates walls/ceilings/obstacles better than 5 GHz, which your grill cannot recognize.



PRO TIP: Check under your hopper lid for a handy quick reference guide to your Woodridge controller!



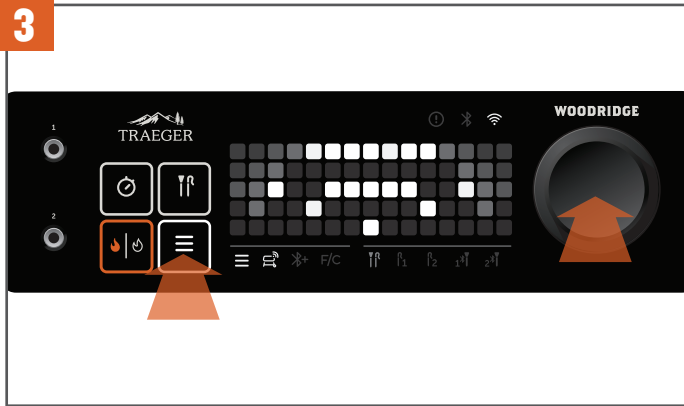
Go to the Apple App Store or Android Google Play Store to download the latest version of the Traeger App.



Ensure your smart device is connected to the Wi-Fi network to which you want your grill connected. The router signal must be 2.4 GHz, as the grill is not compatible with 5 GHz.

CONNECTING YOUR GRILL CONTINUED

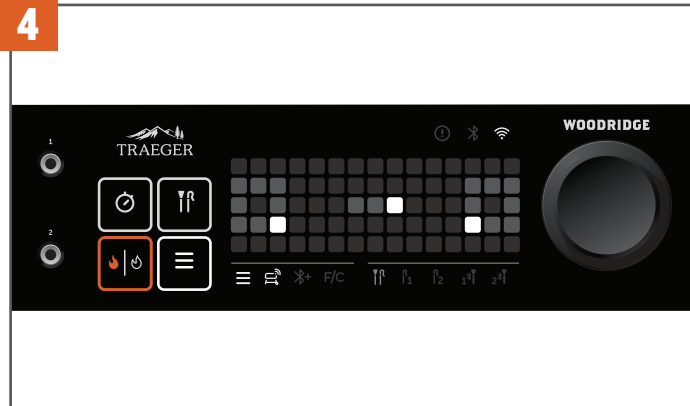
3



After powering on your grill, tap the menu button. You will see the Wi-Fi grill icon light up in the menu bar below the dot matrix, and an animation of a Wi-Fi signal with a question mark will be displayed. Press the selection dial to select this option and begin the connection process.

NOTE: You can navigate menu options by turning the selection dial after tapping the menu button. As you turn the dial, the menu bar icons below the dot matrix display will light up to indicate your selection.

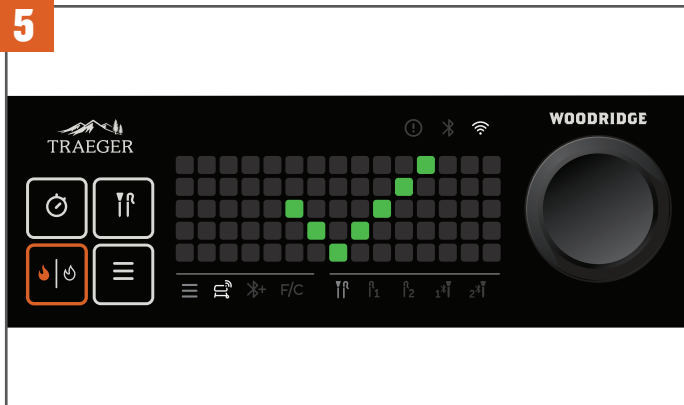
4



After selecting WiFIRE, the pairing animation above will display on screen, indicating that your grill is broadcasting its Bluetooth signal and is ready to pair. Open your smart device to the Traeger App and sign in to your account. On the home screen of the Traeger App, tap the grill icon in the lower center of the screen to start connecting.

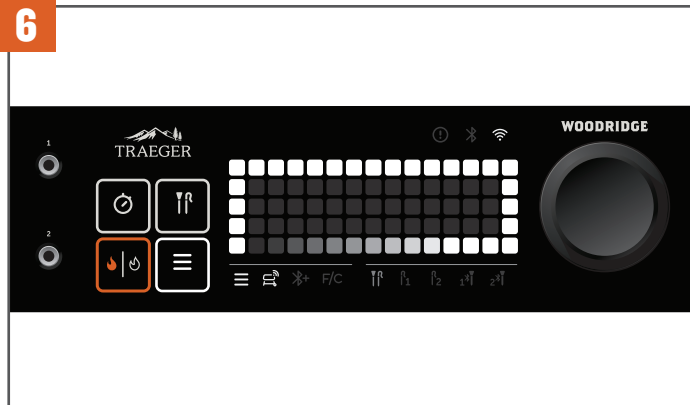
Follow the instructions on the Traeger App to (1) pair your phone to your grill (via temporary Bluetooth connection), (2) connect your grill to your desired 2.4 GHz home Wi-Fi network, and (3) complete the grill setup process.

5

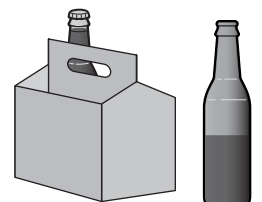


A green checkmark will display on your controller to indicate that you have successfully connected to WiFIRE. The Wi-Fi icon in the top right above the matrix display will stay lit up when the grill is connected.

6



Once connected to WiFIRE, you might see this animation on your screen. Don't turn off your grill until you see a green checkmark. This means that your grill is downloading and applying an update. Just like your smartphone, these updates keep your grill running smoothly, securely, and at peak performance. Once the update is done, you'll see a green checkmark and the grill will return to the idle mode – let's cook!

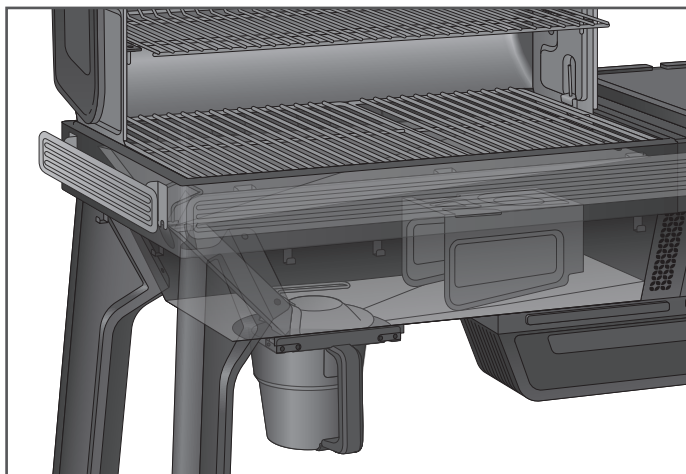


SEASONING YOUR GRILL

 **PRO TIP:** Seasoning must be completed before cooking food on your grill. For more information, scan here to access the Seasoning Guide.

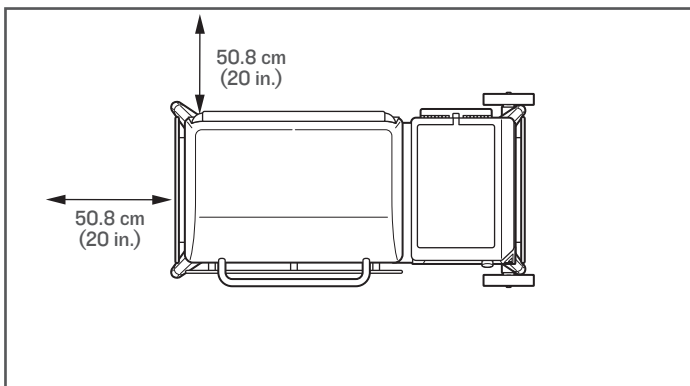


Before you can cook on your grill, the grill must be seasoned. This is a hands-off process in which the empty grill gets heated to a very high temperature. This seasoning cycle ensures the grill is cleaned of any factory residue, primed, and ready for optimal performance.



IMPORTANT:

- Make sure all components are properly installed in the grill and that all packaging/shipping materials are removed prior to seasoning.
- Do not wipe protective grease coating off of components before seasoning. This coating provides a more durable burn-in protective layer.



⚠ WARNING Fire Hazard

- When operating your Traeger Grill, maintain a **MINIMUM** distance of 50.8 cm (20 inches) from the grill to any nearby combustibles, including wooden railings, home siding, window frames, furniture, trees, trash receptacles, etc.

⚠ DANGER Carbon Monoxide Hazard

Burning wood pellets produces carbon monoxide which may lead to illness, serious injury, and/or death. Follow these guidelines to prevent this colorless, odorless gas from poisoning you, your family, your pets, or others:

- Only use your Traeger Grill outside in a well-ventilated area. This grill is intended for **OUTDOOR USE ONLY**.
- **Never** use your Traeger Grill in any enclosed area or any area without adequate ventilation.
- Know the symptoms of carbon monoxide poisoning: headache, dizziness, weakness, nausea, vomiting, sleepiness, and confusion. Carbon monoxide reduces the blood's ability to carry oxygen. Low blood oxygen levels can result in loss of consciousness and death.
- See a doctor if you or others develop cold- or flu-like symptoms while cooking or in the vicinity of this appliance. Carbon monoxide poisoning, which can easily be mistaken for a cold or flu, is often detected too late.
- Alcohol consumption and drug use increase the effects of carbon monoxide poisoning.
- Carbon monoxide is especially toxic to mother and child during pregnancy, infants, the elderly, smokers, and people with blood or circulatory system problems, such as anemia or heart disease.

⚠ WARNING Fire Hazard

- **Never** use gasoline, lantern fuel, kerosene, lighter fluid, or other flammable materials to start or "freshen up" a fire.
- **Never** use or store flammable liquids or other combustibles materials near the grill.

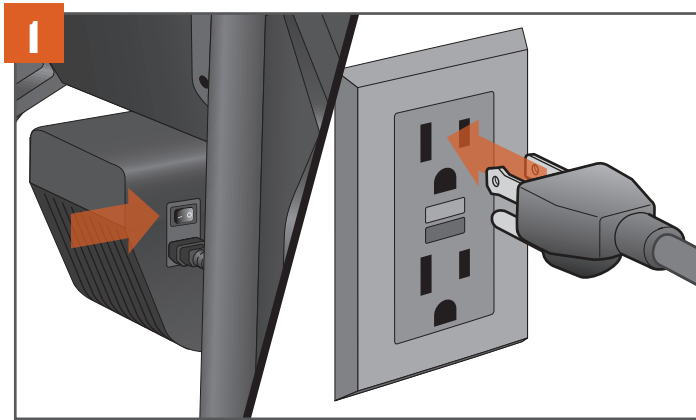
⚠ WARNING Burn Hazard

Ashes should always be completely cool before handling. Ashes should be placed in a metal container with a tight-fitting lid. The closed container of ashes should be placed on a noncombustible floor or on the ground, well away from all combustible materials, pending final disposal. Ashes should be retained in the closed container until they are disposed of.

⚠ WARNING Do Not Use Fuel Pellets

Never use heating fuel pellets in the grill because they may contain hazardous contaminants and additives and may damage the grill.

SEASONING YOUR GRILL CONTINUED

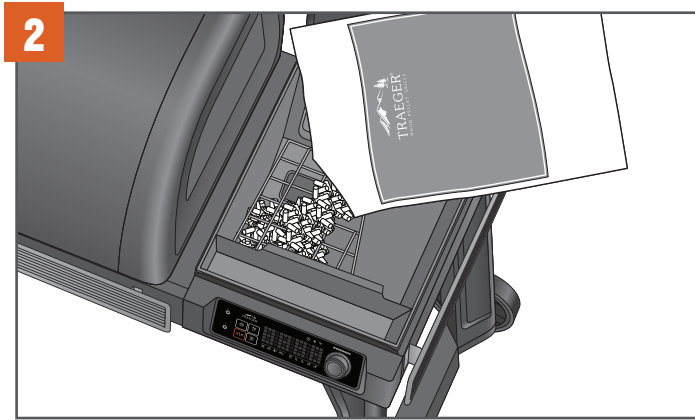


With the main power switch set to OFF (0), connect the power cord to your grill. Then plug the power cord into a properly grounded/earthed electrical outlet protected by a Ground Fault Circuit Interrupter (GFCI).

NOTE: Plug appearance may vary by region.

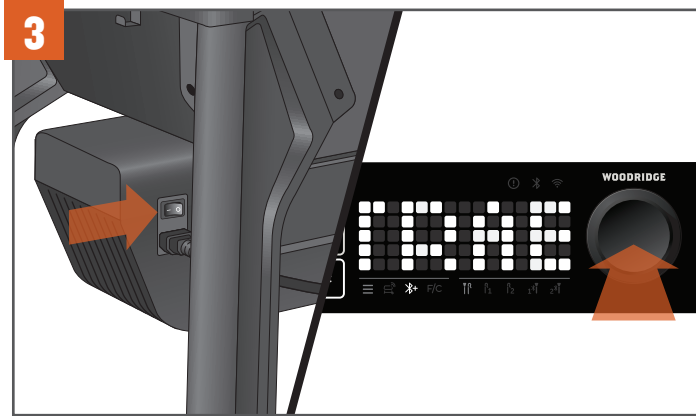
WARNING! ELECTRICAL SHOCK HAZARD
HAZARDOUS VOLTAGE IS PRESENT, WHICH CAN SHOCK, BURN, OR CAUSE DEATH.

- GROUND FAULT CIRCUIT INTERRUPTER (GFCI) PROTECTION MUST BE PROVIDED ON THE CIRCUIT(S) OR OUTLET(S) TO BE USED FOR THE OPERATION OF THIS TRAEGER GRILL.

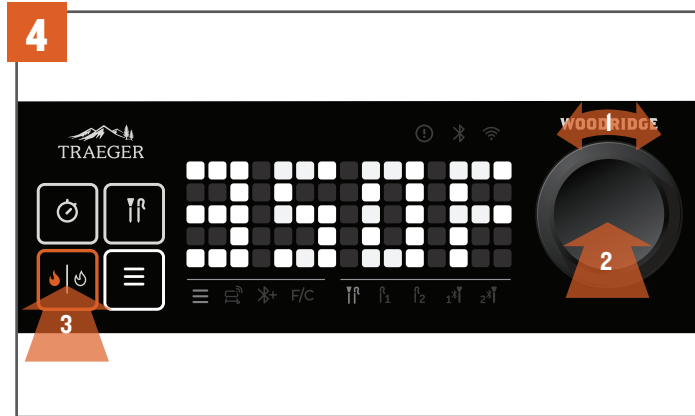


To add pellets, open the hopper lid and inspect for any foreign objects in the auger. Fill the hopper with pellets at least to the safety grate and close the lid.

USE ONLY TRAEGER HARDWOOD PELLETS. This product is developed and tuned using only Traeger pellets. Traeger pellets are crafted to meet strict quality and performance standards. Using pellets not manufactured by Traeger may result in inconsistent performance, poor flavor, and temperature inconsistency.



Press the main power switch, located on the back of the auger box, to ON (I). Press the selection dial to wake up the controller. "TRAEGER" will scroll across the screen, indicating the grill is on.

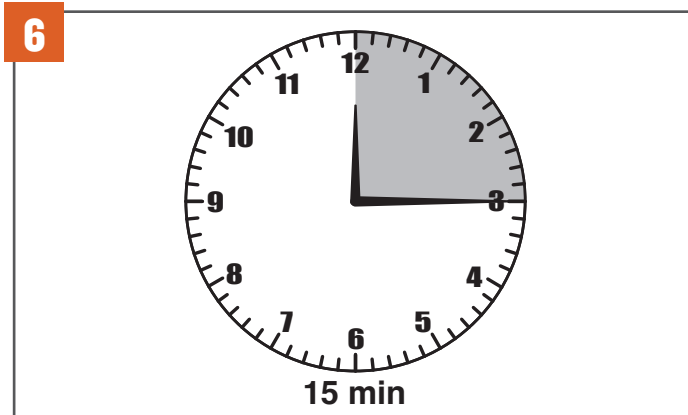


Turn the selection dial to set the grill's temperature to 350°F (177°C), then press the dial. Press the ignite/shutdown button.

PRO TIP: This seasoning process is important to ensure proper grill performance. Make sure that all internal components have been properly installed prior to this seasoning cycle and that there is no food on the grill grates during this process.



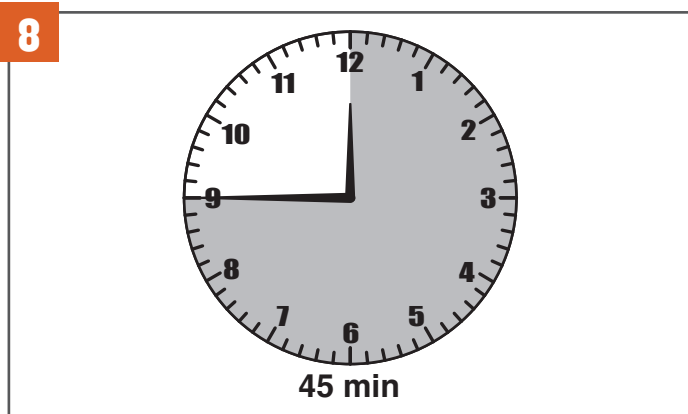
The grill temperature will display as it increases to the set temperature.



Once the grill has reached 350°F (177°C), let it run for 15 minutes. While the grill is seasoning, you may see dark or excessive smoke and ash; this is normal and will be less on future startups.

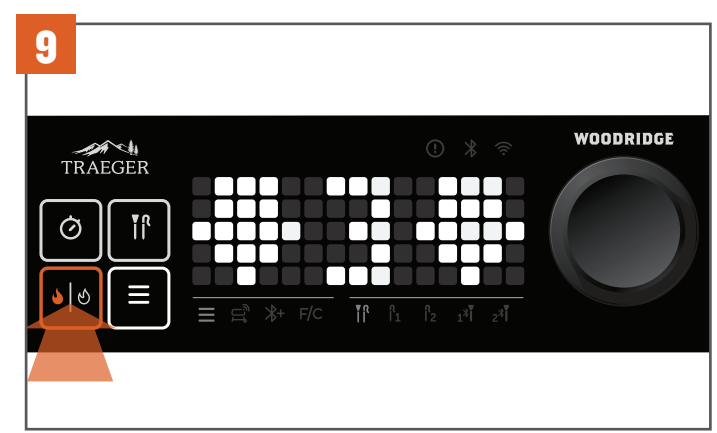


After 15 minutes at 350°F (177°C), increase the temperature to 500°F (260°C).



Once the grill has reached 500°F (260°C), let it run for another 45 minutes to ensure seasoning is completed properly.
NOTE: Getting to first-time seasoning temperature may take up to an hour.

SEASONING YOUR GRILL CONTINUED

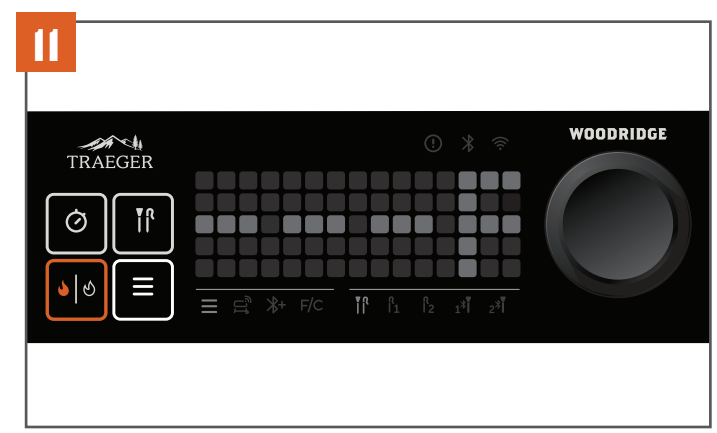


After 45 minutes at 500°F (260°C), shut down the grill and let the shutdown cycle complete. To shut down your grill, press and hold the ignite/shutdown button or the selection dial for three seconds until the display shows the shutdown animation.

NOTE: Always initiate a shutdown cycle after each and every cook.

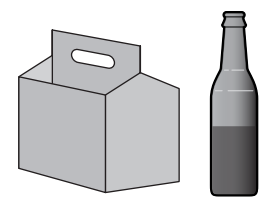


A countdown timer begins while the grill is shutting down. You will hear the fan continue to run.



Once this countdown is complete, the shutdown cycle is complete.

NOTE: It is normal to observe ash on the drip tray and/or grill grates after seasoning. Simply wipe away ash on grill grates prior to your first cook.





NOTES



